



LLIFE-TRACK-HVG-WHT

Lifelight, IP20, Emergency, Track Mount, L10 Nanophosphate, Zoneworks XT HIVE, White



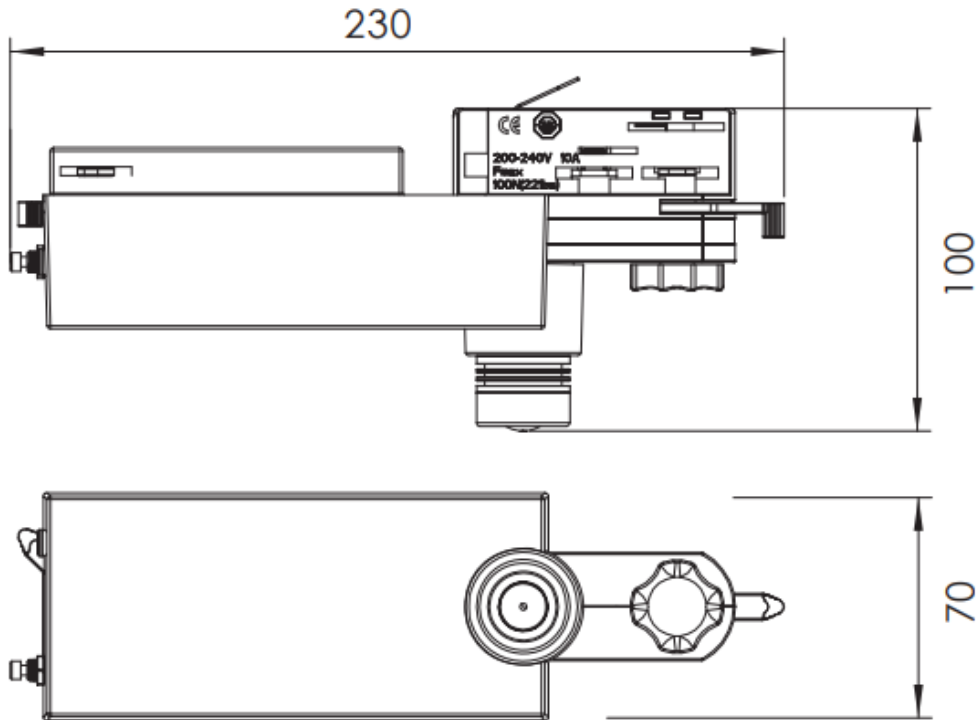
PRODUCT INFORMATION	
Part Number	LLIFE-TRACK-HVG-WHT
MIC	AUD01910050001
Description	Lifelight, IP20, Emergency, Track Mount, L10 Nanophosphate, Zoneworks XT HIVE, White
Construction	Polycarbonate Enclosure
Track Adapter	STUCCHI 9209-4/W, asymmetric 4 conductors adapter (3 Phase+N) with phase selector
Mounting	Track Mounted Note: check compatibility of Stucchi Adapter with the installed Track System. Unit may not function correctly if installed on incompatible Track Profile.
Dimensions L x W x H	See image on the next page
Weight	0.7 kg
Operating Mode	Non-maintained
Testing System	Zoneworks XT Hive (RF) 2.4GHz
Battery Type	Lithium Nanophosphate, 3.3V 2500mAh
Charging Method	Intelligent Current Limited Constant Voltage
Lamp(s)	1 x LED
Operating Voltage	220-240V AC; 50Hz
Power Connection	Track mounted – single circuit. Note: Final track adaptor configuration to be confirmed prior to order placement
Supply Current	N/A
Inrush Current (Max)	TBA
Earth Leakage	N/A
Power Consumption	0.8W (Standby), 2.8W (Max)
Rated Emergency Duration	120 minutes
IP Rating	IP20
Operating temperature	1°C to 40°C
AS2293 Classification	C0 = D40, C90 = D40
Applicable Standards	AS2293.3: 2005 and AS/NZS CISPR15: 2017
Compliance Marking	

REPLACEMENT PARTS	
PART NUMBER	DESCRIPTION
1530050	Battery
8003560	Zoneworks XT HIVE Node
8003621	Driver



LLIFE-TRACK-HVG-WHT

Lifelight, IP20, Emergency, Track Mount, L10 Nanophosphate,
Zoneworks XT HIVE, White



The product details described in this document are current as at the version date of the document. We reserve the right to change product design, specifications or materials (Specifications) as part of our continuous improvement program. Please confirm the applicable Specifications at the time of placing your order