



LLIFE-TRACK-D2-BLK

Lifelight, IP20, Emergency, Track Mount, L10 Nanophosphate, DALI-2 Emergency, Black



PRODUCT INFORMATION					
Catalogue Number	LLIFE-TRACK-D2-BLK				
MIC	AUD01210180001				
Description	Lifelight, IP20, Emergency, Track Mount, L10 Nanophosphate, DALI-2 Emergency, Black				
Construction	Polycarbonate Enclosure				
Track Adapter	STUCCHI 9209/B, asymmetric 6 circuits adapter (3 Phase + Control System) with phase selector				
Mounting	Track Mounted Note: check compatibility of Stucchi Adapter with the installed Track System. Unit may not function correctly if installed on incompatible Track Profile.				
Dimensions L x W x H	See image on the next page				
Weight	0.7 kg				
Operating Mode	Non-maintained				
Testing System	DALI-2				
Battery Type	Lithium Nanophosphate, 3.3V 2500mAh				
Charging Method	Intelligent Current Limited Constant Voltage				
Lamp(s)	1 x LED				
Operating Voltage	220-240V AC; 50Hz				
Power Connection	Track mounted – single circuit with DALI-2 (Da, Da) connections. Note: Final track adaptor configuration and DALI-2 connection to be confirmed prior to order placement				
Total Lumen Output	180lm (Emergency)				
Power Consumption	1.0 Watts (Standby), 3.0 Watts (Max)				
Rated Emergency Duration	120 minutes				
IP Rating	IP20				
Operating temperature	1°C to 40°C				
Protection	<ul style="list-style-type: none">• Battery overvoltage & overcurrent protection• Battery deep discharge protection• Supply voltage polarity reversal protection Battery short-circuit protection (charging will resume upon removal of fault)				
Luminaire Classification	<table border="1"><tr><td>X</td><td>0</td><td>ADF</td><td>120</td></tr></table>	X	0	ADF	120
X	0	ADF	120		
AS Classification	C0=D40, C90=D40				
Applicable Standards	AS/NZS3820, CISPR15, AS/NZS2293.3				
Compliance Marking (RCM)					

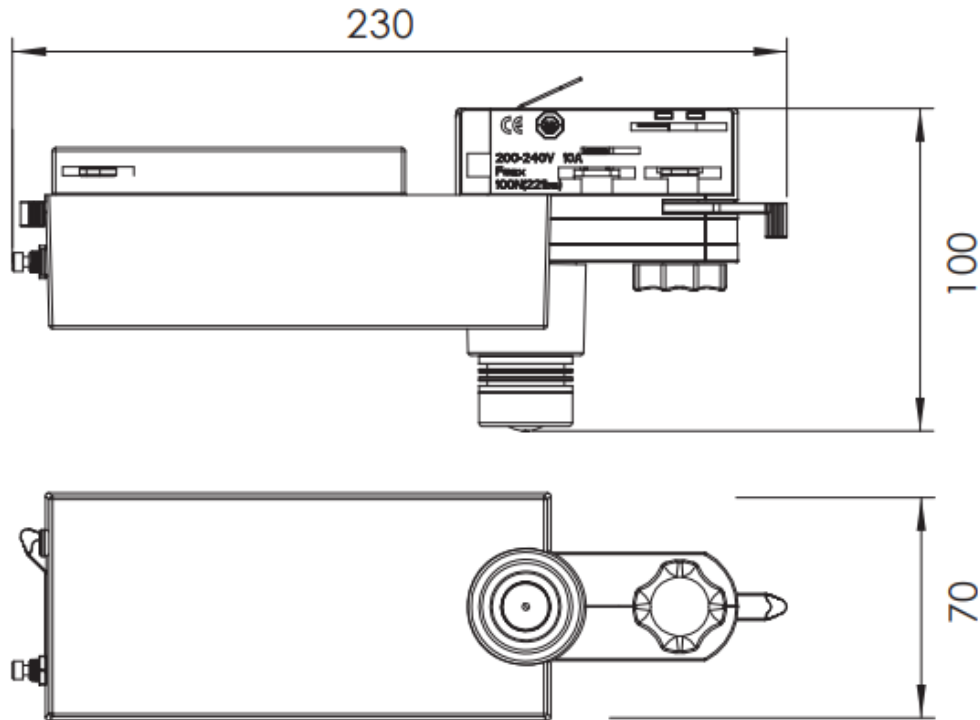


LLIFE-TRACK-D2-BLK

Lifelight, IP20, Emergency, Track Mount, L10 Nanophosphate,
DALI-2 Emergency, Black

REPLACEMENT PARTS

PART NUMBER	DESCRIPTION
1530050	Battery
2780072	LED
8003621	Driver
Dali Node	8003062



The product details described in this document are current as at the version date of the document. We reserve the right to change product design, specifications or materials (Specifications) as part of our continuous improvement program. Please confirm the applicable Specifications at the time of placing your order