



LLIFE-TRACK-BLK

Lifelight, IP20, Emergency, Track Mount, L10 Nanophosphate, Clevertest Plus, D40, Black



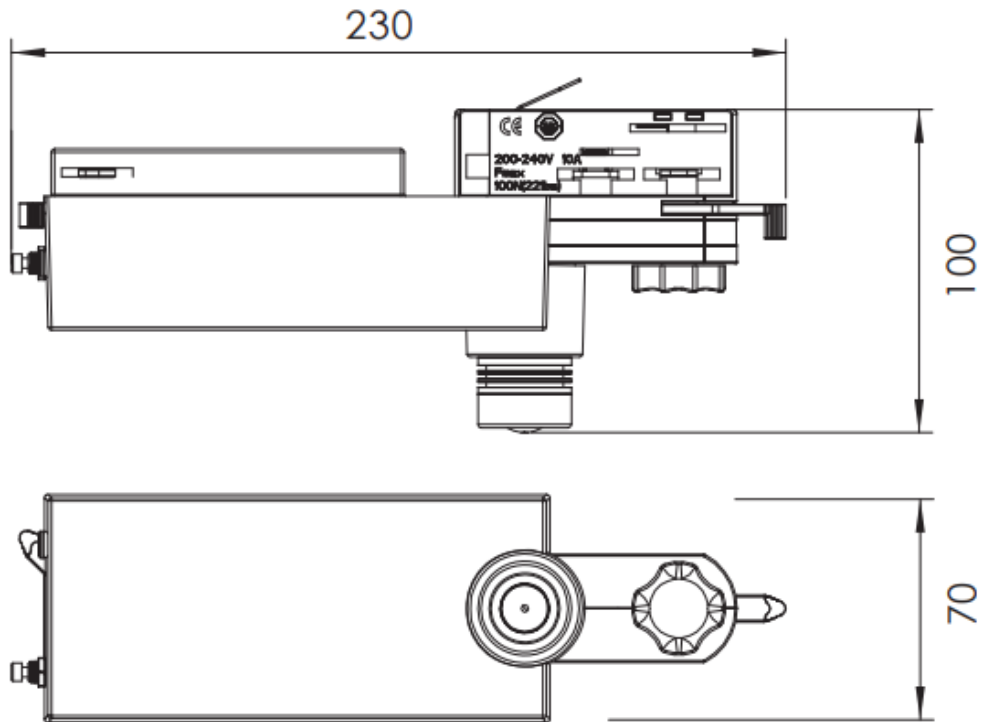
PRODUCT INFORMATION	
Product Number	LLIFE-TRACK-BLK
MIC	AUD01310090001
Description	Lifelight, IP20, Emergency, Track Mount, L10 Nanophosphate, Clevertest Plus, Black
Construction	Polycarbonate Enclosure
Track Adapter	STUCCHI 9209-4/W, asymmetric 4 circuits adapter (3 Phase+N) with phase selector. Compatible with 3 circuits common neutral 120V ONETRACK UL tracks.
Mounting	Track Mounted Note: check compatibility of Stucchi Adapter with the installed Track System. Unit may not function correctly if installed on incompatible Track Profile.
Dimensions L x W x H	See image on the next page
Weight	0.7 kg
Operating Mode	Non-maintained
Testing System	Clevertest Plus Enabled (Not activated by default)
Battery Type	Lithium Nanophosphate, 3.3V 2500mAh
Charging Method	Intelligent Current Limited Constant Voltage
Lamp(s)	1 x LED
Operating Voltage	220-240V AC; 50Hz
Power Connection	Track mounted – single circuit. Note: Final track adaptor configuration to be confirmed prior to order placement
Supply Current	N/A
Inrush Current (Max)	TBA
Earth Leakage	N/A
Power Consumption	0.5 Watts (Standby), 2.5 Watts (Max)
Rated Emergency Duration	120 minutes
IP Rating	IP20
Operating temperature	1°C to 40°C
AS2293 Classification	C0=D40, C90=D40
Applicable Standards	AS2293.3: 2005 and AS/NZS CISPR15: 2017
Compliance Marking	

REPLACEMENT PARTS	
PART NUMBER	DESCRIPTION
1530050	Battery
8003621	Driver



LLIFE-TRACK-BLK

Lifelight, IP20, Emergency, Track Mount, L10 Nanophosphate, Clevertest Plus, D40, Black



The product details described in this document are current as at the version date of the document. We reserve the right to change product design, specifications or materials (Specifications) as part of our continuous improvement program. Please confirm the applicable Specifications at the time of placing your order