



## FORM-20-SM-CM-RS-L10-HVG

CLEVERTRONICS Form 20m Exit, Surface Ceiling Mount, Rod Suspended, L10 Nanophosphate, Zoneworks XT Hive, Picto All, Double Sided, Brushed Aluminium Frame



### PRODUCT INFORMATION - GENERAL

Product Code	FORM-20-SM-CM-RS-L10-HVG
MIC	UKA01810260001
Description	Form 20m Exit, Surface Ceiling Mount, Rod Suspended, L10 Nanophosphate, Zoneworks XT Hive, Picto All, Double Sided, Brushed Aluminium Frame
Construction	Cast Aluminium Box with PC/Aluminium Extrusion Blade
Diffuser	Polycarbonate
Mounting	Surface Ceiling Mount, Double Sided
Electrical Connection	Screw Terminal

### PRODUCT INFORMATION - SPECIFICATIONS

Viewing Distance	20m
Operating Mode	Maintained
Testing System	Zoneworks XT HIVE (RF)
Battery	Lithium Nanophosphate, 3.3V 2500mAh
Charging Method	Intelligent Current Limited Constant Voltage
Lamp(s)*	18 x LED, 170,000 hours
Supply Voltage	220-240V~ 50Hz
Power Factor	0.28 (Standby, Maintained), 0.42 (Max)
Supply Current	19.91 (Standby, Maintained), 35.60 (Max) - (mA)
Inrush Current (Max)	10A<144μs
Earth Leakage	0.35
Power Consumption	1.5W (Standby), 3.6W (Max)
Operating Temperature	0 °C - 40°C
IP Rating	IP20
Impact Rating	IK03
Rated Emergency Duration	180 Minutes
Escape Route Illumination	N/A
Escape Route Illumination Emergency Lumens	N/A



## FORM-20-SM-CM-RS-L10-HVG

CLEVERTRONICS Form 20m Exit, Surface Ceiling Mount, Rod Suspended, L10 Nanophosphate, Zoneworks XT Hive, Picto All, Double Sided, Brushed Aluminium Frame

### PRODUCT INFORMATION - COMPLIANCE

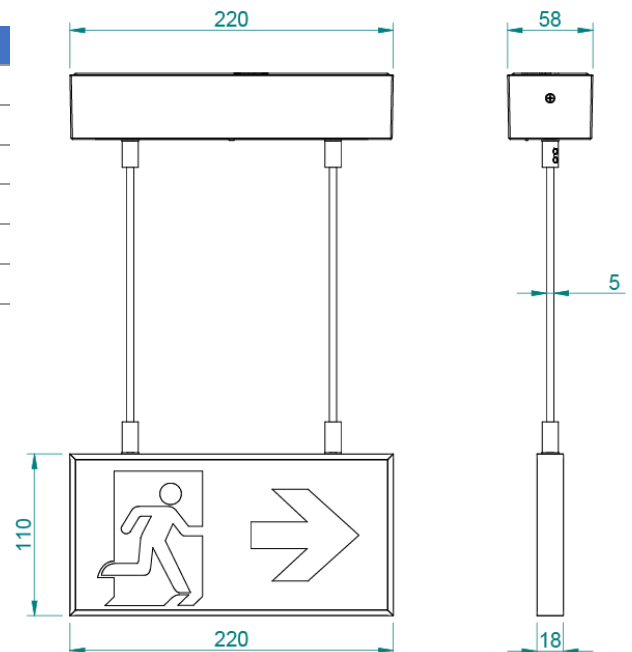
<b>Protection</b>	<ul style="list-style-type: none"> <li>• Battery Overvoltage &amp; Overcurrent Protection</li> <li>• Battery Deep Discharge Protection</li> <li>• Supply Voltage Polarity Reversal Protection</li> <li>• Battery Short-circuit Protection (Charging Will Resume Upon Removal of Fault)</li> <li>• Kit Box (Enclosure) of Lamp Control Gear Provides Protection Against Accidental Contact With Live Parts</li> </ul>
<b>Luminaire Classification</b>	X 1 AFG 180
<b>Conformity</b>	BS EN 55015, BS EN 61547, BS EN 61000-3-2, BS EN 61000-3-3, ETSI EN 301 489-1, ETSI EN 301 489-17, BS EN 1838, BS EN ISO 7010, BS EN 62471, BS EN 60598-2-22
<b>Compliance Marking</b>	UK CA CE

### REPLACEMENT PARTS

COMPONENT	PART NUMBER & DESCRIPTION
1530050	Battery
UKM01870370001 LLEDDRV2CH-RR-2C170-6C30-15-CKIT-HVGEXTA	Emergency Driver
8003345	Emergency Node

### PRODUCT INFORMATION - DIMENSIONS

<b>Blade Assembly</b> (LxWxH mm)	220 x 18 x 110
<b>Body/Box</b> (LxWxH mm)	220 x 58 x 45
<b>Rod/Cable</b> (LxDIAØ mm)	1500 x 5
<b>Cut-Out</b> (LxW mm)	N/A
<b>Minimum Depth</b> (mm)	0
<b>Weight</b> (kg)	1.30



\*The projected value has been calculated by extrapolation of the LM80 data using the Energy Star Calculator

The product details described in this document are current as at the version date of the document. We reserve the right to change product design, specifications, or materials (Specifications) as part of our continuous improvement program. Please confirm the applicable Specifications at the time of placing your order