



FORM-20-SM-CM-RS-L10-D2-BLK

Form 20m Exit, Surface Ceiling Mount, Rod Suspended, L10 Nanophosphate, DALI-2 Emergency, Picto All, Double Sided, Brushed Aluminium Frame, Black



PRODUCT INFORMATION - GENERAL

Product Code	FORM-20-SM-CM-RS-L10-D2-BLK		
MIC	UKA00000007101		
Description	Form 20m Exit, Surface Ceiling Mount, Rod Suspended, L10 Nanophosphate, DALI-2 Emergency, Picto All, Double Sided, Brushed Aluminium Frame, Black		
Construction	Cast Aluminium Box with PC/Aluminium Extrusion Blade		
Diffuser	Polycarbonate		
Mounting	Surface Ceiling Mount, Double Sided		
Electrical Connection	Screw Terminal		
Viewing Distance	20m		
Operating Mode	Maintained		
Testing System	DALI-2		
Battery	Lithium Nanophosphate, 3.3V 2500mAh		
Charging Method	Intelligent Current Limited Constant Voltage		
Lamp(s)*	18 x LED, 170,000 hours		
Supply Voltage	220-240V~ 50Hz		
Power Factor	0.42		
Supply Current	0.036A		
Inrush Current (Peak/Duration)	10A/144µs		
Earth Leakage	0.35		
Power Consumption	1.5W (Standby), 3.6W (Max)		
Operating Temperature	0°C to 40°C		
IP Rating	IP20		
Impact Rating	IK03		
Rated Emergency Duration	180 Minutes		
Luminaire Classification	X	1	AFG 180
Conformity	BS EN 55015, BS EN 61547, BS EN 61000-3-2, BS EN 61000-3-3, ETSI EN 301 489-1, ETSI EN 301 489-17, BS EN 1838, BS EN ISO 7010, BS EN 62471, BS EN 60598-2-22		
Compliance Marking			

REPLACEMENT PARTS

PART NUMBER	DESCRIPTION
1533050	Battery
UKM00000004201	Emergency Driver
8011958	LED Panel

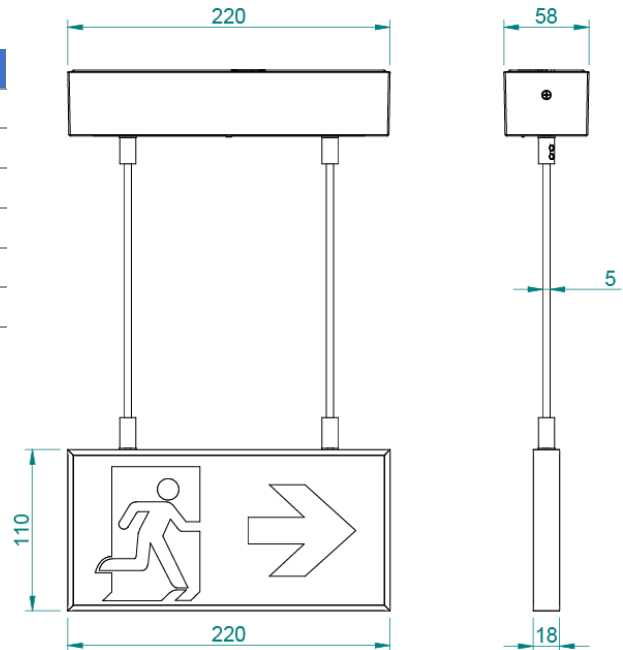


FORM-20-SM-CM-RS-L10-D2-BLK

Form 20m Exit, Surface Ceiling Mount, Rod Suspended, L10 Nanophosphate, DALI-2 Emergency, Picto All, Double Sided, Brushed Aluminium Frame, Black

PRODUCT INFORMATION – DIMENSIONS

Blade Assembly (LxWxH mm)	220 x 18 x 110
Body/Box (LxWxH mm)	220 x 58 x 45
Rod/Cable (LxDIA \varnothing mm)	1500 x 5
Cut-Out (LxW mm)	N/A
Minimum Depth (mm)	0
Weight (kg)	1.30



*The projected value has been calculated by extrapolation of the LM80 data using the Energy Star Calculator

The product details described in this document are current as at the version date of the document. We reserve the right to change product design, specifications, or materials (Specifications) as part of our continuous improvement program. Please confirm the applicable Specifications at the time of placing your order