



## FORM-20-SM-CM-LP

CLEVERTRONICS Form 20m Exit, Surface Ceiling Mount, CLP, Clevertest Plus, Picto All, Double Sided, Brushed Aluminium Frame



### PRODUCT INFORMATION - GENERAL

<b>Product Code</b>	FORM-20-SM-CM-LP
<b>MIC</b>	UKA02310140001
<b>Description</b>	Form 20m Exit, Surface Ceiling Mount, CLP, Clevertest Plus, Picto All, Double Sided, Brushed Aluminium Frame
<b>Construction</b>	Cast Aluminium Box with PC/Aluminium Extrusion Blade
<b>Diffuser</b>	Polycarbonate
<b>Mounting</b>	Surface Ceiling Mount, Double Sided
<b>Electrical Connection</b>	Screw Terminal

### PRODUCT INFORMATION - SPECIFICATIONS

<b>Viewing Distance</b>	20m
<b>Operating Mode</b>	Maintained
<b>Testing System</b>	Clevertest Plus Enabled (Not Activated By Default)
<b>Battery</b>	Lithium Iron Phosphate, 3.2V 1100mAh
<b>Charging Method</b>	Intelligent Current Limited Constant Voltage
<b>Lamp(s)*</b>	18 x LED, 170,000 hours
<b>Supply Voltage</b>	220-240V~ 50Hz
<b>Power Factor</b>	0.28 (Standby, Maintained), 0.42 (Max)
<b>Supply Current</b>	18.61 (Standby, Maintained), 34.30 (Max) - (mA)
<b>Inrush Current (Max)</b>	10A<144μs
<b>Earth Leakage</b>	0.35
<b>Power Consumption</b>	1.2W (Standby), 3.3W (Max)
<b>Operating Temperature</b>	0 °C - 40°C
<b>IP Rating</b>	IP20
<b>Impact Rating</b>	IK03
<b>Rated Emergency Duration</b>	180 Minutes
<b>Escape Route Illumination</b>	N/A
<b>Escape Route Illumination Emergency Lumens</b>	N/A



## FORM-20-SM-CM-LP

CLEVERTRONICS Form 20m Exit, Surface Ceiling Mount, CLP,  
Clevertest Plus, Picto All, Double Sided, Brushed Aluminium Frame

### PRODUCT INFORMATION - COMPLIANCE

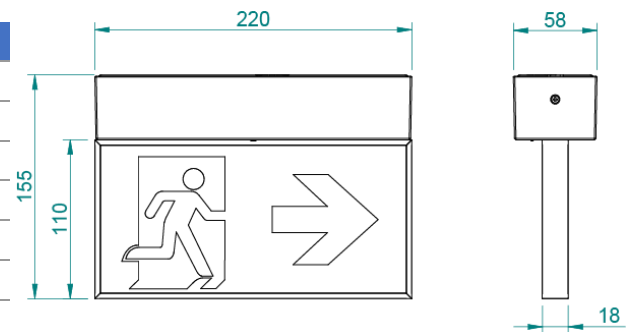
<b>Protection</b>	<ul style="list-style-type: none"><li>• Battery Overvoltage &amp; Overcurrent Protection</li><li>• Battery Deep Discharge Protection</li><li>• Supply Voltage Polarity Reversal Protection</li><li>• Battery Short-circuit Protection (Charging Will Resume Upon Removal of Fault)</li><li>• Kit Box (Enclosure) of Lamp Control Gear Provides Protection Against Accidental Contact With Live Parts</li></ul>				
<b>Luminaire Classification</b>	<table border="1"><tr><td>X</td><td>1</td><td>AG</td><td>180</td></tr></table>	X	1	AG	180
X	1	AG	180		
<b>Conformity</b>	BS EN 55015, BS EN 61547, BS EN 61000-3-2, BS EN 61000-3-3, ETSI EN 301 489-1, ETSI EN 301 489-17, BS EN 1838, BS EN ISO 7010, BS EN 62471, BS EN 60598-2-22				
<b>Compliance Marking</b>					

### REPLACEMENT PARTS

COMPONENT	PART NUMBER & DESCRIPTION
1550150	Battery
UKM02370210001 CLEDDRV2CH-RR-2C170-6C30-15-CKIT	Emergency Driver
N/A	Emergency Node

### PRODUCT INFORMATION – DIMENSIONS

<b>Blade Assembly</b> (LxWxH mm)	220 x 18 x 110
<b>Body/Box</b> (LxWxH mm)	220 x 58 x 45
<b>Rod/Cable</b> (LxDIAØ mm)	N/A
<b>Cut-Out</b> (LxW mm)	N/A
<b>Minimum Depth</b> (mm)	0
<b>Weight</b> (kg)	0.80



\*The projected value has been calculated by extrapolation of the LM80 data using the Energy Star Calculator

The product details described in this document are current as at the version date of the document. We reserve the right to change product design, specifications, or materials (Specifications) as part of our continuous improvement program. Please confirm the applicable Specifications at the time of placing your order