



FORM-20-SM-CM-L10-HVG

Form 20M Exit, Surface Ceiling Mount, L10 Nanophosphate, Zoneworks XT Hive, All Pictograms, Double Sided, Brushed Aluminium Frame



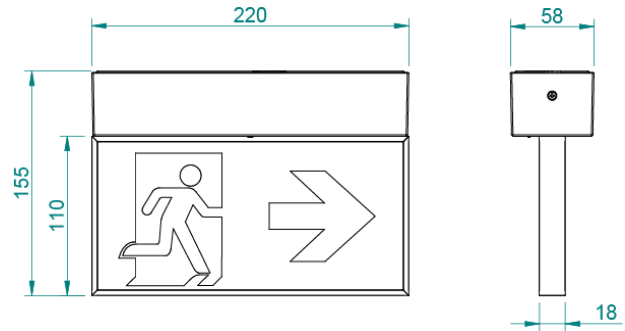
PRODUCT INFORMATION	
Product Code	FORM-20-SM-CM-L10-HVG
MIC	UKA01810270002
Description	Form 20m Exit, Recessed Ceiling Mount, CLP, Clevertest Plus, Picto All, Double Sided, Brushed Aluminium Frame
Construction	Cast Aluminium Box with PC/Aluminium Extrusion Blade
Diffuser	Polycarbonate
Mounting	Surface Ceiling Mount, Double Sided
Electrical Connection	Screw Terminal
Viewing Distance	20m
Operating Mode	Maintained
Testing System	Zoneworks XT HIVE (RF)
Battery	Lithium Nanophosphate, 3.3V 2500mAh
Charging Method	Intelligent Current Limited Constant Voltage
Lamp(s)*	18 x LED, 170,000 hours
Supply Voltage	220-240V~ 50Hz
Power Factor	0.28 (Standby, Maintained), 0.42 (Max)
Supply Current	19.91 (Standby, Maintained), 35.60 (Max) - (mA)
Inrush Current (Max)	10A<144µs
Earth Leakage	0.35mA
Power Consumption	1.5W (Standby), 3.6W (Max)
Operating Temperature	0 °C - 40°C
IP Rating	IP20
Impact Rating	IK03
Rated Emergency Duration	180 Minutes
Compliance Marking	
Protection	<ul style="list-style-type: none">• Battery overvoltage & overcurrent protection• Battery deep discharge protection• Supply voltage polarity reversal protection• Battery short-circuit protection (charging will resume upon removal of fault)
Luminaire Classification	X 1 AFG 180
Conformity	BS EN 55015, BS EN 61547, BS EN 61000-3-2, BS EN 61000-3-3, ETSI EN 301 489-1, ETSI EN 301 489-17, BS EN 1838, BS EN ISO 7010, BS EN 62471, BS EN 60598-2-22



FORM-20-SM-CM-L10-HVG

Form 20M Exit, Surface Ceiling Mount, L10 Nanophosphate,
Zoneworks XT Hive, All Pictograms, Double Sided,
Brushed Aluminium Frame

DIMENSIONS	
Blade Assembly (LxWxH mm)	220 x 18 x 110
Body/Box (LxWxH mm)	220 x 58 x 45
Minimum Depth (mm)	0
Weight (kg)	0.80



REPLACEMENT PARTS	
PART NUMBER	DESCRIPTION
1533150	Battery
8011956	LED Assembly
UKM02370210002 CLEDDRV2CH-RR-2C170-6C30-15-CKIT	Emergency Driver

The product details described in this document are current as at the version date of the document. We reserve the right to change product design, specifications or materials (Specifications) as part of our continuous improvement program. Please confirm the applicable Specifications at the time of placing your order