



FORM-20-SM-CM-L10-HVG-ESC-BLK

Form 20m Exit, Surface Ceiling Mount, L10 Nanophosphate, Zoneworks Hive, Picto All, Double Sided, Escape Route Illumination, Brushed Aluminium Frame, Black



PRODUCT INFORMATION - GENERAL

Product Code	FORM-20-SM-CM-L10-HVG-ESC-BLK			
MIC	UKA01810420001			
Description	Form 20m Exit, Surface Ceiling Mount, L10 Nanophosphate, Zoneworks Hive, Picto All, Double Sided, Escape Route Illumination, Brushed Aluminium Frame, Black			
Construction	Cast Aluminium Box with PC/Aluminium Extrusion Blade			
Diffuser	Polycarbonate			
Mounting	Surface Ceiling Mount, Double Sided			
Electrical Connection	Screw Terminal			
Viewing Distance	20m			
Operating Mode	Maintained			
Testing System	Zoneworks HIVE (RF) 2.4GHz			
Battery	Lithium Nanophosphate, 3.3V 2500mAh			
Charging Method	Intelligent Current Limited Constant Voltage			
Lamp(s)*	18 x LED, 170,000 hours			
Supply Voltage	220-240V~ 50Hz			
Power Factor	0.28 (Standby, Maintained), 0.42 (Max)			
Supply Current	0.036A			
Inrush Current (Peak/Duration)	10A/144µs			
Earth Leakage	0.35mA			
Power Consumption	1.5W (Standby), 3.6W (Max)			
Operating Temperature	0°C to 40°C			
IP Rating	IP20			
Impact Rating	IK03			
Rated Emergency Duration	180 Minutes			
Escape Route Illumination	2 x Directional & Rotational Lens			
Escape Route Illumination Emergency Lumens	142.5lm			
Luminaire Classification	X	5	ADFG	180
Conformity	BS EN 55015, BS EN 61547, BS EN 61000-3-2, BS EN 61000-3-3, ETSI EN 301 489-1, ETSI EN 301 489-17, BS EN 1838, BS EN ISO 7010, BS EN 62471, BS EN 62031, BS EN 60598-2-22			
Compliance Marking	UK CA CE			



FORM-20-SM-CM-L10-HVG-ESC-BLK

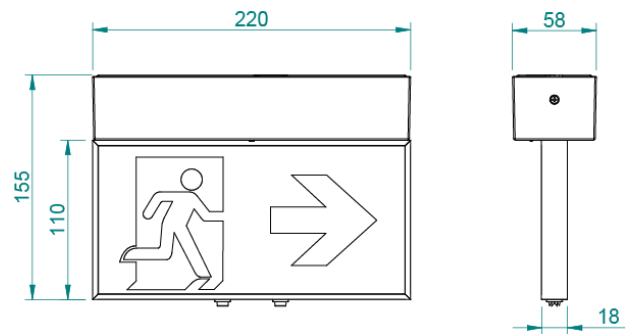
Form 20m Exit, Surface Ceiling Mount, L10 Nanophosphate,
Zoneworks Hive, Picto All, Double Sided, Escape Route
Illumination, Brushed Aluminium Frame, Black

REPLACEMENT PARTS

COMPONENT	PART NUMBER & DESCRIPTION
1533050	Battery
UKM01870370002	Emergency Driver
8011954	Emergency Lamp
8003345	Node

PRODUCT INFORMATION – DIMENSIONS

Blade Assembly (LxWxH mm)	220 x 18 x 110
Body/Box (LxWxH mm)	220 x 58 x 45
Rod/Cable (LxDIAØ mm)	N/A
Cut-Out (LxW mm)	N/A
Minimum Depth (mm)	0
Weight (kg)	0.85



*The projected value has been calculated by extrapolation of the LM80 data using the Energy Star Calculator

The product details described in this document are current as at the version date of the document. We reserve the right to change product design, specifications, or materials (Specifications) as part of our continuous improvement program. Please confirm the applicable Specifications at the time of placing your order