



FORM-20-REC-CM-L10-ESC

CLEVERTRONICS Form 20m Exit, Recessed Ceiling Mount, L10 Nanophosphate, Clevertest Plus, Picto All, Double Sided, Escape Route Illumination, Brushed Aluminium Frame



PRODUCT INFORMATION - GENERAL

Product Code	FORM-20-REC-CM-L10-ESC
MIC	UKA01310190001
Description	Form 20m Exit, Recessed Ceiling Mount, L10 Nanophosphate, Clevertest Plus, Picto All, Double Sided, Escape Route Illumination, Brushed Aluminium Frame
Construction	PCM Box with PC/Aluminium Extrusion Blade
Diffuser	Polycarbonate
Mounting	Recessed Ceiling Mount, Double Sided
Electrical Connection	Push Terminal

PRODUCT INFORMATION - SPECIFICATIONS

Viewing Distance	20m
Operating Mode	Maintained
Testing System	Clevertest Plus Enabled (Not Activated By Default)
Battery	Lithium Nanophosphate, 3.3V 2500mAh
Charging Method	Intelligent Current Limited Constant Voltage
Lamp(s)*	18 x LED, 170,000 hours
Supply Voltage	220-240V~ 50Hz
Power Factor	0.28 (Standby, Maintained), 0.42 (Max)
Supply Current	18.61 (Standby, Maintained), 34.30 (Max) - (mA)
Inrush Current (Max)	10A<144μs
Earth Leakage	0.35
Power Consumption	1.2W (Standby), 3.3W (Max)
Operating Temperature	0 °C - 40°C
IP Rating	IP20
Impact Rating	IK03
Rated Emergency Duration	180 Minutes
Escape Route Illumination	2 x Directional & Rotational Lens
Escape Route Illumination Emergency Lumens	142.5lm



FORM-20-REC-CM-L10-ESC

CLEVERTRONICS Form 20m Exit, Recessed Ceiling Mount, L10
Nanophosphate, Clevertest Plus, Picto All, Double Sided, Escape
Route Illumination, Brushed Aluminium Frame

PRODUCT INFORMATION - COMPLIANCE

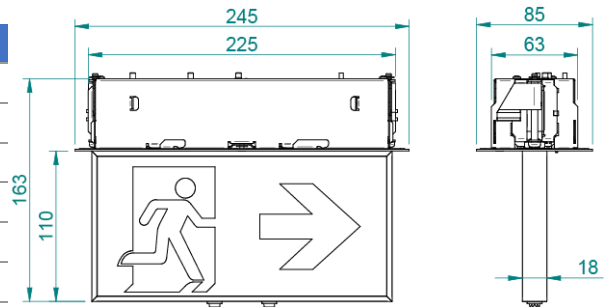
Protection	<ul style="list-style-type: none">• Battery Overvoltage & Overcurrent Protection• Battery Deep Discharge Protection• Supply Voltage Polarity Reversal Protection• Battery Short-circuit Protection (Charging Will Resume Upon Removal of Fault)• Kit Box (Enclosure) of Lamp Control Gear Provides Protection Against Accidental Contact With Live Parts
Luminaire Classification	X 5 ADG 180
Conformity	BS EN 55015, BS EN 61547, BS EN 61000-3-2, BS EN 61000-3-3, ETSI EN 301 489-1, ETSI EN 301 489-17, BS EN 1838, BS EN ISO 7010, BS EN 62471, BS EN 62031, BS EN 60598-2-22
Compliance Marking	UK CA CE

REPLACEMENT PARTS

COMPONENT	PART NUMBER & DESCRIPTION
1530050	Battery
UKM01370300001	Emergency Driver
LLEDDRV2CH-RR-2C170-6C30-15-CKIT	Emergency Node
N/A	

PRODUCT INFORMATION - DIMENSIONS

Blade Assembly (LxWxH mm)	220 x 18 x 110
Body/Box (LxWxH mm)	238 x 79 x 52
Rod/Cable (LxDIAØ mm)	N/A
Cut-Out (LxW mm)	230 x 65
Minimum Depth (mm)	70
Weight (kg)	0.75



*The projected value has been calculated by extrapolation of the LM80 data using the Energy Star Calculator

The product details described in this document are current as at the version date of the document. We reserve the right to change product design, specifications, or materials (Specifications) as part of our continuous improvement program. Please confirm the applicable Specifications at the time of placing your order