



FORM-20-REC-CM-CS-L10-D2

Form 20M Exit, Recessed Ceiling Mount, Cable Suspended, L10 Nanophosphate, DALI-2 Emergency, All Pictograms, Double Sided, Brushed Aluminium Frame



PRODUCT INFORMATION	
Part Number	FORM-20-REC-CM-CS-L10-D2
MIC	UKA00000006301
Description	Form 20M Exit, Recessed Ceiling Mount, Cable Suspended, L10 Nanophosphate, DALI-2 Emergency, All Pictograms, Double Sided, Brushed Aluminium Frame
Material	Cast Aluminium Box with PC/Aluminium Extrusion Blade
Mounting	Recessed Ceiling Mount, Double Sided
Electrical Connection	Push Terminal
Operating Mode	Maintained
Testing System	DALI-2
Battery	Lithium Nanophosphate, 3.3V 2500mAh
Diffuser	Polycarbonate
Charging Method	Intelligent Current Limited Constant Voltage
Lamp(s)	18 x LED, 170,000 hours
Operating Voltage	220-240V~ 50Hz
Power Consumption	1.5W (Standby), 3.6W (Max)
Supply Current	19.91 (Standby, Maintained), 35.60 (Max) - (mA)
Power Factor	0.28 (Standby, Maintained), 0.42 (Max)
Inrush Current (Peak/Duration)	10A/144µs
Earth Leakage	0.35mA
IP Rating	IP20
IK Rating	IK03
Viewing distance	20m
Operating Temperature	0 °C - 40°C
Rated Emergency Duration	180 minutes
Compliance Marking	
Luminaire Classification	X 1 AFG 180
Conformity	BS EN 55015, BS EN 61547, BS EN 61000-3-2, BS EN 61000-3-3, ETSI EN 301 489-1, ETSI EN 301 489-17, BS EN 1838, BS EN ISO 7010, BS EN 62471, BS EN 60598-2-22



FORM-20-REC-CM-CS-L10-D2

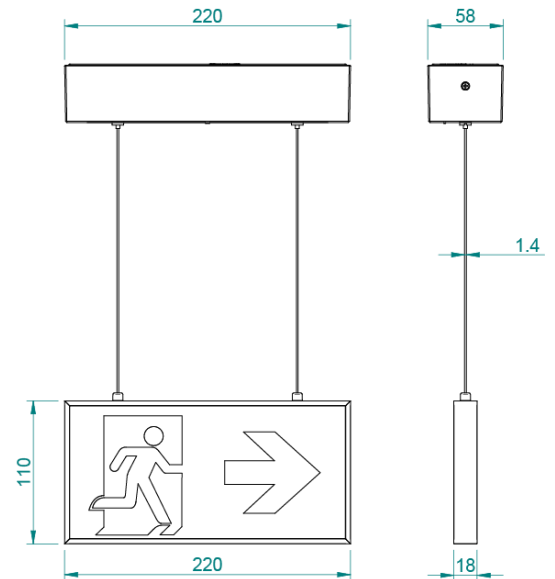
Form 20M Exit, Recessed Ceiling Mount, Cable Suspended,
L10 Nanophosphate, DALI-2 Emergency, All Pictograms,
Double Sided, Brushed Aluminium Frame

REPLACEMENT PARTS

PART NUMBER	DESCRIPTION
1530050	Battery
UKM01270080002	Emergency Driver
8003068	Node

PRODUCT INFORMATION - DIMENSIONS

Blade Assembly (LxWxH mm)	220 x 18 x 110
Body/Box (LxWxH mm)	220 x 58 x 45
Rod/Cable (LxDIA \varnothing mm)	1500 x 1.4
Cut-Out (LxW mm)	N/A
Minimum Depth (mm)	0
Weight (kg)	0.90



*The projected value has been calculated by extrapolation of the LM80 data using the Energy Star Calculator

The product details described in this document are current as at the version date of the document. We reserve the right to change product design, specifications, or materials (Specifications) as part of our continuous improvement program. Please confirm the applicable Specifications at the time of placing your order