



FORM-16-SM-CM-RS-LP

Form 16M Exit, Surface Ceiling Mount, Rod Suspended, LP, Clevertest Plus, All Pictograms, Double Sided, Brushed Aluminium Frame



PRODUCT INFORMATION - GENERAL

Part Number	FORM-16-SM-CM-RS-LP
MIC	AUA02310740001
Description	Form 16M Exit, Surface Ceiling Mount, Rod Suspended, LP, Clevertest Plus, All Pictograms, Double Sided, Brushed Aluminium Frame
Construction	Cast Aluminium Box with PC/Aluminium Extrusion Blade
Diffuser	Polycarbonate
Mounting	Surface Ceiling Mount, Double Sided
Electrical Connection	Screw Terminal

PRODUCT INFORMATION - SPECIFICATIONS

Viewing Distance	16m
Operating Mode	Maintained
Testing System	Clevertest Plus Enabled (Not activated by default)
Battery	Lithium Iron Phosphate, 3.2V 1100mAh
Charging Method	Intelligent Current Limited Constant Voltage
Lamp(s)*	18 x LED, >100,000hrs (AS/NZS2293.3 LSL=73Y/00M)
Supply Voltage	220-240V~ 50Hz
Power Factor	0.28 (Standby, Maintained), 0.42 (Max)
Supply Current	19.91 (Standby, Maintained), 35.60 (Max) - (mA)
In-rush current (peak / duration)	10A / 144µs
Earth Leakage	0.35mA
Power Consumption	1.5W (Standby), 3.6W (Max)
Operating Temperature	1 °C - 40°C
IP Rating	IP20
Impact Rating	IK03
Escape Route Illumination	N/A
AS2293 Classification	N/A

PRODUCT INFORMATION - COMPLIANCE

Applicable Standards	AS/NZS3820, CISPR15, AS/NZS2293.3
Compliance Marking	



FORM-16-SM-CM-RS-LP

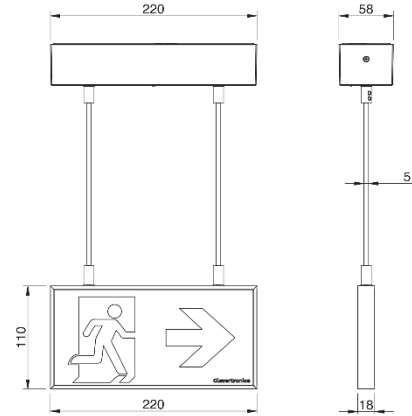
Form 16M Exit, Surface Ceiling Mount, Rod Suspended, LP,
Clevertest Plus, All Pictograms, Double Sided,
Brushed Aluminium Frame

REPLACEMENT PARTS

COMPONENT	PART NUMBER & DESCRIPTION
1550150	Battery
AUM02370480001 CLEDDRV2CH-RR-2C170-6C30-15-CKIT	Emergency Driver
8011958	LED Strip

PRODUCT INFORMATION – DIMENSIONS

Blade Assembly (LxWxH mm)	220 x 18 x 110
Body/Box (LxWxH mm)	220 x 58 x 45
Cover Plate (LxW mm)	N/A
Rod/Cable (LxDIA \varnothing mm)	1500 x 5
Cut-Out (LxW mm)	N/A
Minimum Ceiling Depth (mm)	N/A
Weight (kg)	1.30



*The projected value has been calculated by extrapolation of the LM80 data using the Energy Star Calculator

The product details described in this document are current as at the version date of the document. We reserve the right to change product design, specifications, or materials (Specifications) as part of our continuous improvement program. Please confirm the applicable Specifications at the time of placing your order