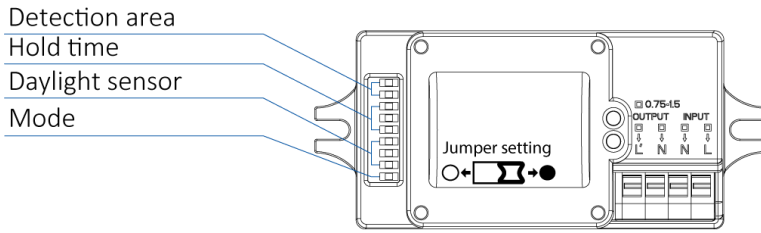


SENSOR ADJUSTMENT



Detection area

Detection area can be reduced by selecting the combination on the DIP switches to fit precisely each application

Default: 100%

1	2	
○	○	25%
●	○	50%
○	●	75%
●	●	100%



Hold time

Refers to the time period the lamp remains at 100% illumination after no motion detected.

Default: 3min

3	4	5	
●	●	●	5s
○	●	●	30s
●	○	●	90s
○	○	●	3min
●	●	○	20min
○	○	○	30min



Daylight sensor

The sensor can be set to only allow the lamp to illuminate below a defined ambient brightness threshold. When set to Disable mode, the daylight sensor will switch on the lamp when motion is detected regardless of ambient light level.

30lux/50lux – Twilight operation

5lux/10lux – Darkness operation only

Default: Disabled

6	7	8	
●	●	●	5lux
○	●	●	15lux
●	○	●	30lux
○	○	●	50lux
●	●	○	100lux
○	○	○	Disable



Sensitivity Mode

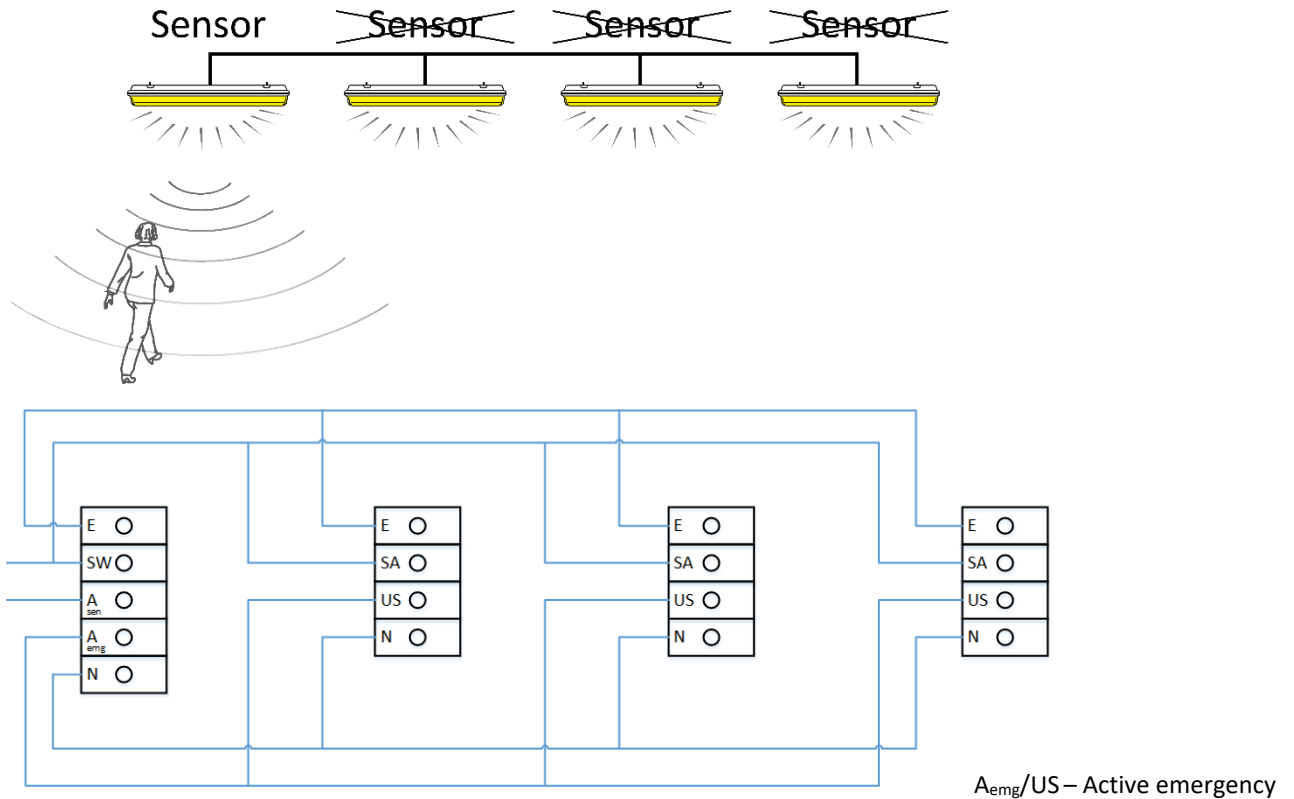
Default: HS

9	
●	HS
○	LS



MASTER/SLAVE FUNCTION

Option A



A_{emg}/US – Active emergency

A_{sen} – Active sensor

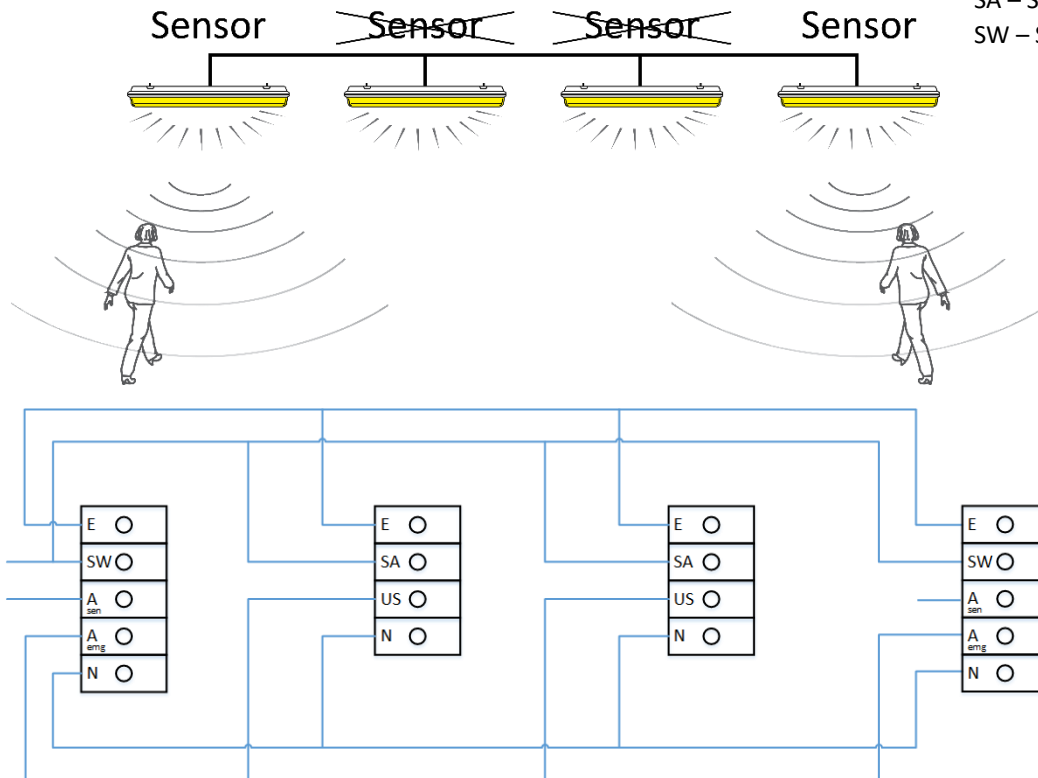
E – Earth

N – Neutral

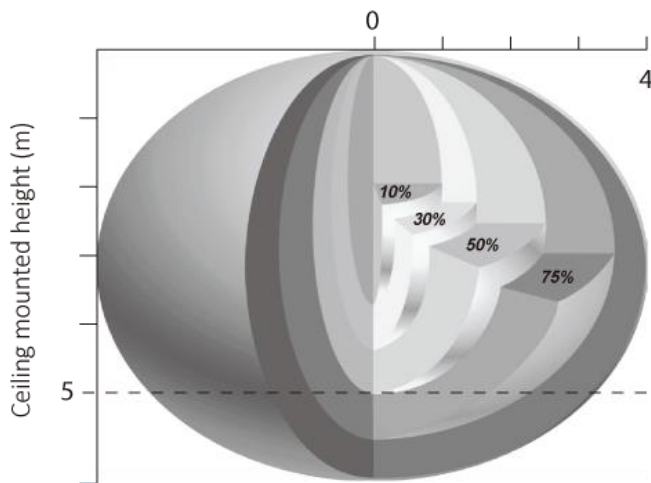
SA – Switched active

SW – Switched output

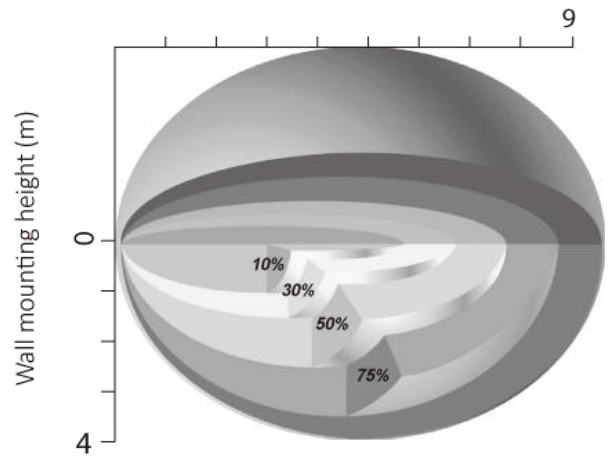
Option B



DETECTION RANGE



Ceiling mounted detection pattern (m)



Wall mounted detection pattern (m)

TECHNICAL SPECIFICATION

Operating voltage	220-240 VAC, 50 Hz/60 Hz
Rated load	800 W (Resistive load) 400 W (Inductive load)
HF system	5.8 GHz \pm 75Mhz, ISM wave band
Power consumption	\leq 0.5 W (Standby)
Transmitting power	<0.5 mW
Detection area (Max.)	8 m
Operating temperature	-35°C to 70°C
Detection area	25% to 100%
Hold time	5s to 30min
Daylight sensor	5lux to 100lux / Disable