

THIS PAGE IS INTENTIONALLY LEFT BLANK

240V Argonaut PLUS Weatherproof LED Batten Installation & Maintenance Instruction Leaflet



3000K 4000K 5700K



Victoria (Head Office & Manufacturing)

Website: www.clevertronics.com.au

Email: info@clevertronics.com.au

Phone: +61 3 9559 2700

Fax: +61 3 9559 2799

New South Wales

Phone: +61 2 8805 6400

Fax: +61 2 8805 6444

Queensland

Phone: +61 7 3442 9700

Fax: +61 7 3442 9777

South Australia/Northern Territory

Phone: +61 8 8301 8800

Fax: +61 8 8351 8286

Western Australia

Phone: +61 8 9207 0000

Fax: +61 8 9207 0088

New Zealand

Phone: +64 800 548 448

UK OFFICE

Website: www.clevertronics.co.uk

362 Stockley Close

West Drayton UB7 9BL

Phone: 01895 430 255

Models:

ARGOPLUS-600-xxx-yyy-**vv**

Options:

Microwave Sensor (HI/LO) xxx = SEN

DALI Driver xxx = DD

ZW Inline Filter yyy = FLT

5-Core Power Cable vv = F5C

Spare Parts:

8002751	PCA:LED Strip ARGOPLUS-600,8P8S,3000K/5700K
1330086	LED Driver - 20w Stallion S-MNT
1330087	LED Driver - 20w Stallion S-MNT,MS-HL
1330038	LED Driver- Tridonic LCA 25W 350-1050mA one4all SC PRE

(SEN version only)


(DD version only)

Important:

It is illegal for anyone, except for a licensed electrician to install or maintain this product. Before installation, ensure that the electricity supply has been switched off and isolated. Installation must be carried out in accordance with the relevant Building and Electrical Standards.

Installation:

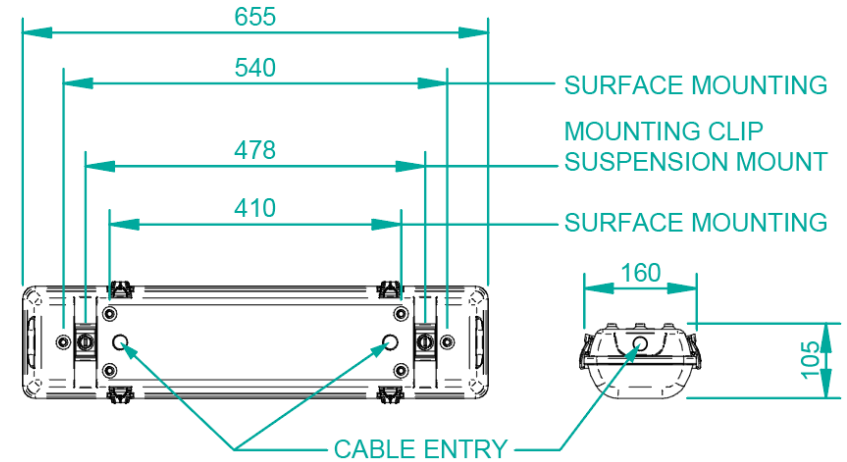
This product can be mounted/suspended from any solid surface. Follow the below installation steps:

- Determine the installation and power entry method.
- Undo the Diffuser Clips, remove the Diffuser and Gear Tray. Position the batten base in the desired location and Mark out the fixing points on the mounting surface.
- If the cable entry is to be via the rear of the body – Drill out a suitable entry-hole in the rear of the batten body (must be suitably sealed after cable entry using a sealant). If the cable entry is via the end of the batten - Install the provided cable gland, or bring in conduit, to the base as required for the intended power access.
Note: Only round cables are to be used with the cable gland for an IP65 seal. Keep cable entry straight and tension free. Ensure all seals are tight.
min. wire diameter 7mm, max. 12mm.
- **For surface mounting**, there are 3 extrusions/posts at each end of the base. Drill out the desired number of fixing points at each end. **Fixings must only be through the extrusions/mounting posts.**
 - Position the fitting to the mounting surface and mark the mounting holes.
 - Cable/Gland entry to be down if mounting vertically.
 - Drill the mounting holes.
 - Fix the base to the surface with appropriate fixings.
 - Seal any penetrations/fixing points with appropriate sealant.
- **For Surface Mount Clip mounting**, measure/mark spacing (see Dimensions image), install stainless steel clips to surface (use appropriate fixings), then insert batten into clips.
- **For Suspension Mounting**, measure/mark spacing (see Dimensions image), install suspension device, E.G chain, and connect chain to batten base.
- Wire mains power cable, 240V 50Hz, to terminals marked L, N &  (and DALI Cable to terminals marked Da Da as applicable)
- Set Colour Switch to the desired colour (3000K / 4000K / 5700K, 4000K set as default)
- Attach Gear Tray to lanyards.
- Reinstall the Gear Tray.
- Reinstall the Diffuser, latch the Diffuser using Diffuser Clips and secure with screws

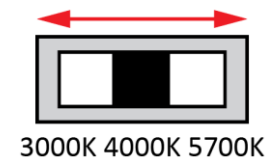
NOTE:

- This luminaire (with reinforced insulation between control/LED terminal and AC Supply) contains non-user replaceable light source – to be replaced (if required) by the manufacturer or his service agent or a similar qualified person.

Dimensions:



Colour Setting:



Trouble Shooting:

Below are a list of common problems and their possible causes.

- Fault:** The LED Strip is not illuminated.
Check: A.C. is connected and is turned on.
Wiring connections between the LED Driver & LED Strips

Warranty:

For Product Warranty information and Terms and Conditions of Sales please refer to our website
<http://clevertronics.com.au/terms-conditions-sale-australia-nz/>
<https://clevertronics.co.uk/product-warranty-statement/>