

240V ARGO Weatherproof LED Batten

Installation & Maintenance Instruction Leaflet



3000K 4000K 5700K

Designed in Australia to comply with the requirements of AS/NZS CISPR15: 2017

Victoria (Head Office & Manufacturing)
Website: www.clevertronics.com.au
Email: info@clevertronics.com.au
Phone: +61 3 9559 2700
Fax: +61 3 9559 2799

New South Wales
Phone: +61 2 8805 6400
Fax: +61 2 8805 6444

Queensland
Phone: +61 7 3442 9700
Fax: +61 7 3442 9777

South Australia/Northern Territory
Phone: +61 8 8301 8800
Fax: +61 8 8351 8286

Western Australia
Phone: +61 8 9207 0000
Fax: +61 8 9207 0088

New Zealand
Phone: +64 800 548 448

Models: ARGO-1200-xx-ww-yy-vv-zz

Also known as F4WB & F4WB-MS-HL

Options:

Microwave Sensor (HI/LO)	xx = SEN
Dali Driver	xx=DD
Fused Terminal Block	ww = FTB
Black Colour	yy = BLK
ZW Inline Filter	vv = FLT

Spare Parts:

1330083	LED Driver - 40w Stallion, SP
1330079	LED HL Driver - MLC65C-P8 (SEN version only)
1330111	DALI Driver (DD version)

Important:

It is illegal for anyone, except for a licensed electrician to install or maintain this product. Before installation, ensure that the electricity supply has been switched off and isolated. Installation must be carried out in accordance with the relevant Australian and International Standards.

Installation:

The ARGO-1200-xx can be mounted to or suspended from any solid surface. Please follow the below installation steps:

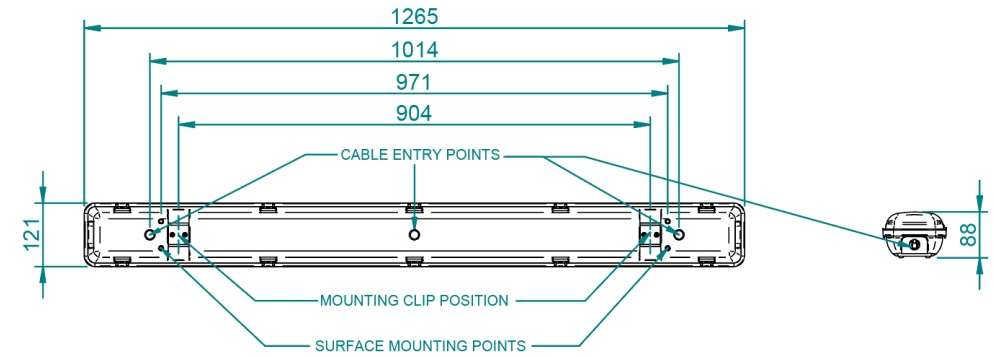
- Determine the installation method (surface/surface with clips).
- Determine the power entry method.
- Undo the diffuser clips, remove the diffuser and gear tray. Position the batten base in the desired location.
- Mark out the fixing points on the mounting surface.
- If the cable entry is to be via the rear of the body – Drill out a suitable entry-hole in the rear of the batten body (must be suitably sealed after cable entry using a sealant). If the cable entry is via the end of the batten - Install the provided cable gland, or bring in conduit, to the base as required for the intended power access.
Note: Only round cables are to be used with the cable gland for an IP65 seal. Keep cable entry straight and tension free. Ensure all seals are tight.
min. wire diameter 7mm, max. 12mm.
- **For surface mounting** -, there are 2 extrusions/posts at each end of the base. Drill out the desired number of fixing points at each end. **Fixings must only be through the extrusions/mounting posts.**
 - Position the fitting to the mounting surface and mark the mounting holes.
 - Cable/Gland entry to be down if mounting vertically.
 - Drill the mounting holes.
 - Fix the base to the surface with appropriate fixings.
 - Seal any penetrations/fixing points with appropriate sealant.
- **For Surface Mount Clip mounting**, measure/mark spacing (see dimensions below), install stainless steel clips to surface (use appropriate fixings), then snap batten into clips.
- Wire mains power cable, 240V 50Hz, to terminals marked L, N & \oplus (DA DA for the DD version)
- Set LED Driver Power Output to either Low (2000Lm) or High (4000Lm) (non-SEN and Non-DD version only)
- Set Colour Switch to the desired colour (3000K, 4000K, 5700K)
- Attach gear tray to lanyards.
- Reinstall the gear tray.
- Reinstall the diffuser and latch the diffuser clips

Note:

This luminaire (with reinforced insulation between control/LED terminal and AC Supply) contains non-user replaceable light source – to be replaced (if required) by the manufacturer or his service agent or a similar qualified person.

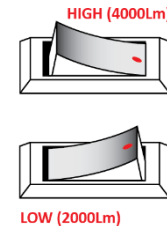
If flexible wiring is connected to this luminaire and is within arm's reach, the wiring shall be effectively fixed to the wall to reduce the risk of strangulation.

Dimensions:

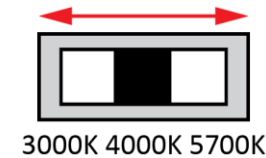


Driver Setting:

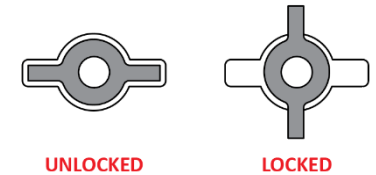
(non-SEN & non-DD version only)



Colour Setting:



Gear Tray Clip:



Trouble Shooting:

Below are a list of common problems and their possible causes.

Fault: Lamp does not illuminate
Check: A.C. is connected.
Wiring of driver to the Lamp is correct.

Warranty:

For Product Warranty information and Terms and Conditions of Sales please refer to our website <http://clevertronics.com.au/terms-conditions-sale-australia-nz/>