

Refer to the supplementary operation guide supplied with the Product.
After Power ON, the Status LED on a Clevertest Plus enabled fitting will display a rapid Green or Red flashing for a period up to 2 minutes.

Zoneworks, HIVE (HV/HVG) and DATA Monitored Options

Fittings with part numbers -ZW, -HV, -HVG, -DATA are fitted with Zoneworks communications modules (nodes). These fittings are monitored using either Powerline Carrier Technology that utilize the power cable to provide data communication, RF transceiver modules operating in the ISM band or a dedicated data cable to/from data routers installed on a dedicated data trunk connected to a central Server (can also be connected via Ethernet/Internet/Fibre). Zoneworks software on the server is used to monitor, coordinate testing and collate test data from each fitting. Zoneworks Fittings can be commissioned by a single push of the test switch or by scanning the supplied barcode. The LED Test Switch indicator provides a multifunction indication of the status of the fitting during testing and normal operation:

Option	State	LED Operation
ZW, HV, HVG, DATA	Commissioned	LED on Solid (Green)
ZW, DATA	Un-commissioned	Batt plugged-in: yellow 1s, green 1s
		Batt unplugged: red 1s, off 1s
HV, HVG	Un-commissioned With network connectivity	Batt plugged-in: yellow 1s, green 1s
		Batt unplugged: red 1s, off 1s
HV, HVG	Un-commissioned Without network connectivity	Batt plugged-in: yellow 250mS, green 250mS, yellow 250mS, green 250mS, green 1s
		Batt unplugged: red 250mS, off 250mS, red 250mS, off 250mS, off 1s
ZW, DATA	Emergency Light Test In Progress	LED flashes at yellow 5s , Off 1s
HV, HVG	Emergency Light Test In Progress	LED flashes at yellow 1s , Off 1s

In the case of the DATA version a 2-way "figure 8" cable and terminal block facilitates the connection to the DATA network via a multi-drop bus (daisy chain connection). For further information of installation of a Zoneworks system, please refer to the Zoneworks Users Guide and Commissioning Guide (incl. DATA version)

DALI EM Option

LUBPROs with part numbers having -DALI are fitted with DALI modules (nodes) that facilitate connection and integration to 3rd Party Lighting Control Systems. Before installing the fitting please confirm that the Lighting Control System has the capability to monitor DALI Emergency Luminaires. The -DALI fitting will be addressed and configured into the control system by the Lighting Control System Commissioning Technicians and not Clevertronics.

State	LED Operation
Commissioned/ Un-commissioned	LED on Solid (Green)
Emergency Light Test in progress	LED flashes at 1s On (Yellow) & 1s Off
"IDENTIFY COMMAND"	Lamp and Status LED Flash for 30 seconds

A 2-way "figure 8" cable and terminal block facilitates the connection to the DALI network. DALI connections are marked as Da Da.


Networking:

When installing the product on a monitored network, (ZONWORKS, DATA, HIVE, DALI) simply insert the relevant Smart Node PCA.


L10 Ultrablade Pro LED Exit Installation & Maintenance Instruction Leaflet




Designed in Australia to comply with the requirements of AS2293.3: 2005 and AS/NZS CISPR15: 2011

NOTE: Standard product codes with this symbol  are enabled with Clevertest Plus capability. Please refer to the operation guide supplied with the product for details.

Models: LUBPRO-rr-yy-xx-uu-zz-ss-ww-vv

Testing:	Options:
Manual Test xx = Blank Theatre yy= TH Running Man zz=R	
Zoneworks xx = ZW Custom Option ss Running Man Left Arrow zz=RL	
Z/W DATA xx = DATA Black vv = BLK Running Man Right Arrowzz=RR	
DALI  xx = DALI Cable Options ww = FC, F5C Double sided R/M zz=DS-R	
ZW HIVE xx = HV/HVG Rod rr=RS Double sided R/M Arrow zz=DS-RAOW	
Clevertest xx = CT Vertical uu = V	

(NOTE: -CT Products supplied with the Clevertest Plus Symbol  are activated with Clevertest PLUS capability. Please refer to the operation guide supplied with the product for details).

Spare Parts:

1530050	Replacement Battery
2740054	Ultrablade to Ultrablade Pro adapter
8002178	Replacement Emergency LED Board
8011493	Replacement Emergency LED Board (used in -RS)
AUM01370010001	Replacement Emergency Driver
AUM01370470001	Replacement Emergency Driver (-TH-DS only)

Important:

It is illegal for anyone, except for a licensed electrician to install or maintain this product. Before installation, ensure that the electricity supply has been switched off and isolated. Installation must be carried out in accordance with the relevant Australian and International Standards.

Victoria (Head Office & Manufacturing)

Website: www.clevertronics.com.au

Email: info@clevertronics.com.au

Phone: +61 3 9559 2700

Fax: +61 3 9559 2799

New South Wales

Phone: +61 2 8805 6400

Fax: +61 2 8805 6444

Queensland

Phone: +61 7 3442 9700

Fax: +61 7 3442 9777

South Australia/Northern Territory

Phone: +61 8 8301 8800

Fax: +61 8 8351 8286

Western Australia

Phone: +61 8 9207 0000

Fax: +61 8 9207 0088

New Zealand

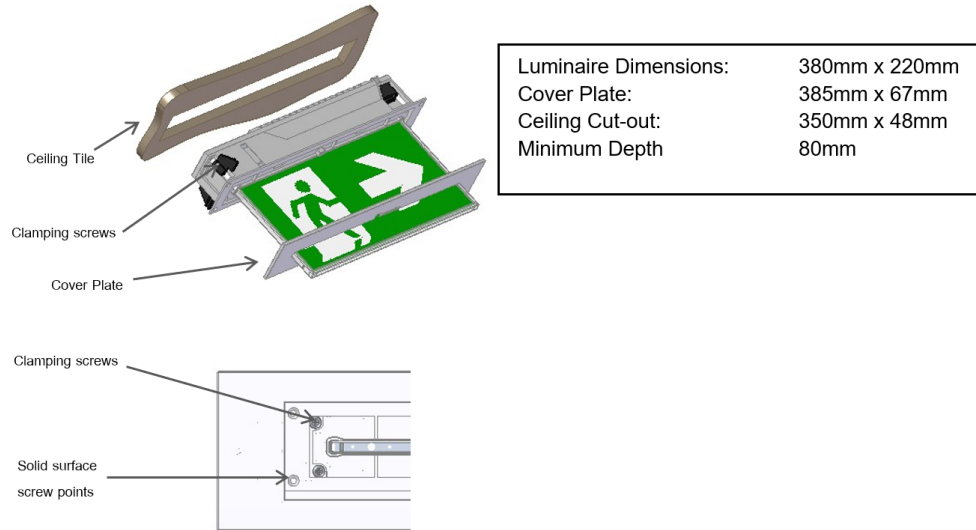
Phone: +64 800 548 448

Installation:

The L10 Ultrablade Pro LED Exit (LUBPRO) is a recessed ceiling mount fitting. The LUBPRO can be attached directly to any solid surface, or to a ceiling tile using the supplied mounting bracket. The LUBPRO comes with an attached Flex and Plug. Please follow the steps below to install the LUBPRO Exit:

- If replacing an Ultrablade, an Ultrablade to Ultrablade Pro adapter 2740054 (sold separately) is required)
- Create a cut-out (350mm x 48mm) in the mounting surface.
- Route the power cord to the mains connection and connect the 240VAC supply.
- Insert the LUBPRO into the ceiling cavity tighten the (4) clamping screws.
- Alternately, fix the LUBPRO to a solid surface using (4) screws through the surface material.
- Install the cover plate.
- Apply power to the fitting and test.
- If the CTP capabilities are activated, please affix the CTP Status Label to a visible surface and Four Segment Marking on the product will include an "F" in third segment block.

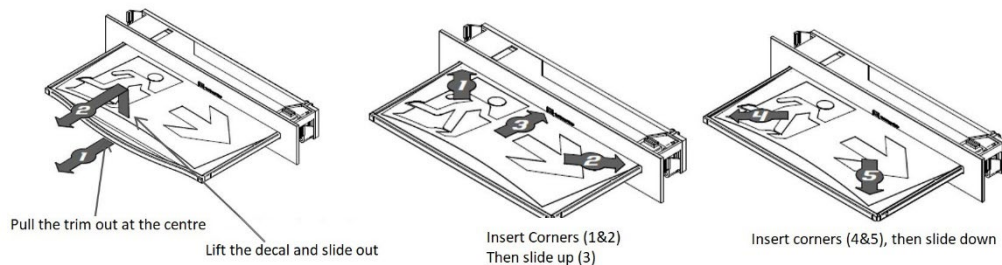
For Rod Suspended (-RS) fittings, please refer to the supplement instruction sheet 1942468 as well.



Changing EXIT Legend Inserts:

The Ultrablade Pro Exit comes with an assortment of standard legends.

1. To remove the legend, grasp the centre of the bottom trim piece and pull down slightly to expose the legend edge. See photo.
2. Grasp the bottom edge of the legend and slide the existing legend out of the blade, while working the edges out along the sides. Slide the new legend into the blade, ensuring to fit the edges into the sides then slide the legend to the top of the blade. Insert one bottom corner then the other. Slide the legend down into the bottom trim.



Testing:

Once connected to the 240V mains supply, the unit must be allowed to charge the battery for at least 24 hours. Conduct the following tests:

- For the first test, the emergency lamp must remain illuminated for at least 2 hours after disconnection from the mains supply.
- Subsequent tests require the unit to illuminate for at least 90 minutes. The results of all tests are required to be recorded in a service logbook, which is to be kept on-site at all times. If the unit fails to remain illuminated for the requisite time, remedial action must be taken to repair the situation and once completed, the unit must pass a subsequent test. For more specific information, please refer to the current edition of the AS 2293.3 Standard.

Ultrablade Maintenance:

LED Lamp Replacement:

- Use only the LED Strip recommended in the Spares Parts list of this instruction.
- Disconnect battery from LED driver pack and cut cable tie to remove.
- Disconnect the signal cable from LED strip, loosen screw and remove the mains driver pack.
- Remove 4 self-tapping screws and unclip the LED strip.
- Install the new LED strip following the above procedure in reverse.

Battery Replacement:

- Use only the battery recommended in the Spares List on this instruction.
- Remove the cable ties holding the battery, un-plug the lead from the battery connector remove the old battery.
- Plug the new battery into the battery connector.
- Secure the battery using suitable cable ties

Trouble Shooting:

Below are a list of common problems and their possible causes.

Fault: The Green LED Test Switch indicator is not illuminated.

Check: A.C. is connected and is turned on.
Battery is connected
Test Switch for damage.

Fault: Lamp does not illuminate in emergency mode.

Check: A.C. is connected.
Lamp is correctly inserted.
Battery is connected

Fault: Lamp illuminates in emergency mode, but only stays on for a short period.

Check: Battery has been allowed to charge for at least 24 hours.
Battery for damage.

Rated Emergency Lumen Output in accordance with AS2293.1, not applicable for -TH (theatre) version (refer to spacing tables for installation positions):

Refer to the Technical Label for classification information.

Caution:

On many building sites, power circuits may be cut off in an uncontrolled and repetitive basis during construction. As a result, any Exit & Emergency Units, on these circuits, will have their batteries discharged or "cycled". The battery in this fitting has been selected to give excellent long-life performance in a controlled AS2293 testing environment. Excessive battery cycling will reduce through-life performance and may lead to premature battery failure. Battery warranty claims, as a result of such abuse, are specifically EXCLUDED from Clevertronics warranty terms.

Warranty:

For Product Warranty information and Terms and Conditions of Sales please refer to our website <http://clevertronics.com.au/terms-conditions-sale-australia-nz/>