

ARGONAUT Weatherproof Wall Light

Installation & Maintenance Instruction Leaflet



Victoria (Head Office & Manufacturing)

Website: www.clevertronics.com.au

Email: info@clevertronics.com.au

Phone: +61 3 9559 2700

Fax: +61 3 9559 2799

New South Wales

Phone: +61 2 8805 6400

Fax: +61 2 8805 6444

Queensland

Phone: +61 7 3442 9700

Fax: +61 7 3442 9777

South Australia/Northern Territory

Phone: +61 8 8301 8800

Fax: +61 8 8351 8286

Western Australia

Phone: +61 8 9207 0000

Fax: +61 8 9207 0088

New Zealand

Phone: +64 800 548 448

Designed in Australia to comply with the requirements of AS/NZS CISPR15: 2017

Models:

Options:

DALI Driver

xx = DD

ARGOWALL-xx-uu-zz

Warm White

uu = WW

Colour default RAL7016

zz = blank

Colour Custom

zz = colour

Spare Parts:

1330153

Replacement 240V Driver

8050219

Replacement 240V LED Strip

8050218

Replacement 240V LED strip (-WW)

1330045

Replacement 240V Driver (-DD)

Important:

It is illegal for anyone, except for a licensed electrician to install or maintain this product. Before installation, ensure that the electricity supply has been switched off and isolated. Installation must be carried out in accordance with the relevant Australian and International Standards.

Photocell (Daylight Sensor):

ARGOWALL luminaires are fitted with an energy saving photocell for detecting day/night light levels.

When ambient light is 10-20lx the photocell will turn ON the main light when L is powered.

When ambient light is 30-80lx the photocell will turn OFF the main light when L is powered.

To bypass this function and allow light on during the day, fit link across PC1 and PC2 terminals.

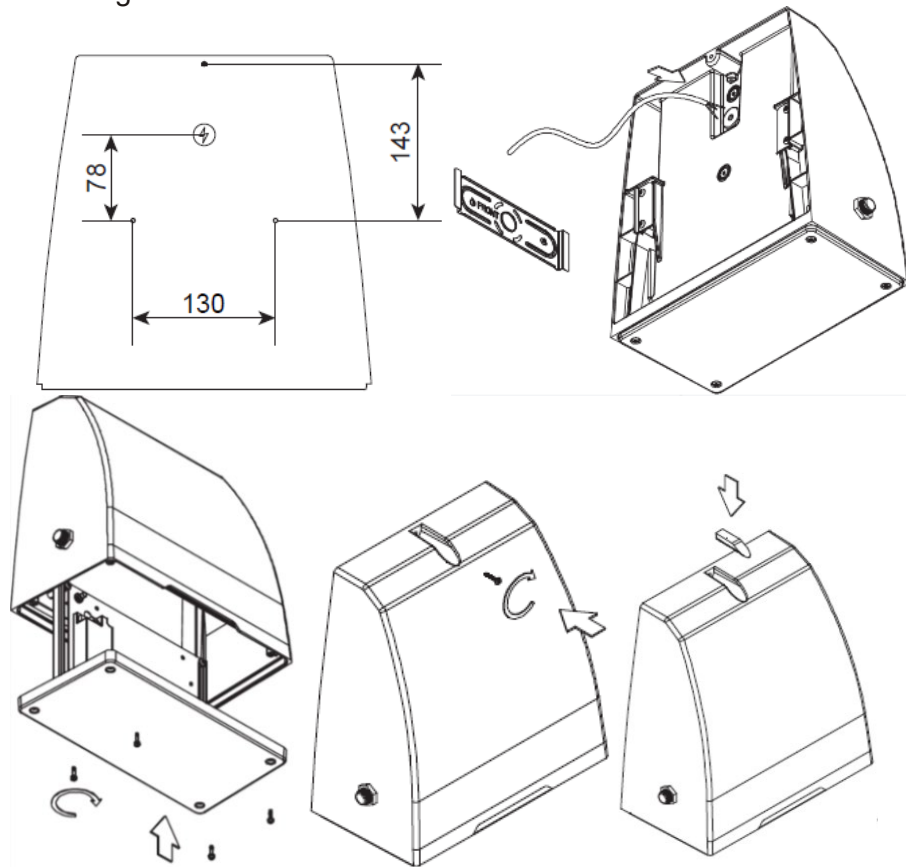
Installation:

The ARGOWALL is a wall mount fitting. The luminaire can be attached directly to any solid surface using the mounting plate supplied. Please follow the steps below to install the luminaire:

- Mains power must be switched off during and Installation or Maintenance.
- Drill 3 x suitable holes for mounting.
- Fix mounting plate to wall using suitable fixings for the weight of the product.
- Loosen the four screws holding the LED panel on and lower gear tray LED panel.
- Route the 240VAC supply cable through the entry hole.
- Seal the 240VAC supply cable entry hole appropriately using a suitable compound such as silicone.
- Connect the 240VAC supply (⊕, L, N) to the terminal block of the gear tray.
- To disable the PhotoCell (Daylight) sensor add a link between terminal block labelled PC1 PC2.
- Slide gear tray back into luminaire and carefully tighten the four screws to secure the gear tray LED panel to the housing. Ensure that the seal has been aligned to ensure IP rating is achieved.
- Fit Luminaire onto mounting plate and secure the top mounting screw and insert the screw cap into housing.

Dimensions:

Mounting hole locations



Note:

This luminaire (with reinforced insulation between control/LED terminal and AC supply) contains non-user replaceable light source - to be replaced (if required, refer installation instructions for lamp replacement) by Clevertronics service personnel/agents or a registered electrician.

Maintenance:

Lamp Replacement:

- Prior to any work, isolate the power to the luminaire that requires Lamp replacement.
- Loosen the four screws holding the LED Panel/gear tray.
- Remove 3 screws on the back of the LED panel to remove diffuser.
- Disconnect Lamp connections from LED panel.
- Remove screws holding LED panel and replace LED panel.
- Re-assembly following process in reverse.
- Slide gear tray back into luminaire and carefully tighten the four screws to secure the gear tray LED panel to the housing. Ensure that the seal has been aligned to ensure IP rating is achieved.

Warranty:

For Product Warranty information and Terms and Conditions of Sales please refer to our website <http://clevertronics.com.au/terms-conditions-sale-australia-nz/>