

Testing Procedure:

When the unit is connected to the un-switched active, it must be allowed to charge the battery for at least 24 hours. The emergency lamp only illuminates during a power fail. Conduct the following tests:

- The emergency lamp must illuminate for at least 180 min after disconnection from the mains. If the unit fails to illuminate for the requisite time, remedial action must be taken to repair the situation and once completed, the unit must pass a subsequent test.
- Press and hold Test Button or switch Off Mains Supply, check that the emergency lamp is On. Release the Test Button or Switch On Mains Supply, check that the emergency lamp is Off (Non-maintained operation).

Zoneworks, HIVE and DATA Monitored Options

Fittings with part numbers -ZW, -HVG, -DATA are fitted with Zoneworks communications modules (nodes). These fittings are monitored using either Powerline Carrier Technology that utilize the power cable to provide data communication, RF transceiver modules operating in the ISM band or a dedicated data cable to/from data routers installed on a dedicated data trunk connected to a central Server (can also be connected via Ethernet/Internet/Fibre). Zoneworks software on the server is used to monitor, coordinate testing and collate test data from each fitting. Zoneworks Fittings can be commissioned by a single push of the test switch or by scanning the supplied barcode. The LED Test Switch indicator provides a multifunction indication of the status of the fitting during testing and normal operation:

Option	State	LED Operation
ZW, HVG, DATA	Commissioned	LED on Solid (Green)
ZW, DATA	Un-commissioned	Batt plugged-in: yellow 1s, green 1s
		Batt unplugged: red 1s, off 1s
HVG	Un-commissioned With network connectivity	Batt plugged-in: yellow 1s, green 1s
		Batt unplugged: red 1s, off 1s
HVG	Un-commissioned Without network connectivity	Batt plugged-in: yellow 250mS, green 250mS, yellow 250mS, green 250mS, green 1s
		Batt unplugged: red 250mS, off 250mS, red 250mS, off 250mS, off 1s
ZW, DATA	Emergency Light Test In Progress	LED flashes at yellow 5s , Off 1s
HVG	Emergency Light Test In Progress	LED flashes at yellow 1s , Off 1s

In the case of the DATA version a 2-way "figure 8" cable and terminal block facilitates the connection to the DATA network via a multi-drop bus (daisy chain connection). For further information of installation of a Zoneworks system, please refer to the Zoneworks Users Guide and Commissioning Guide (incl. DATA version)

Trouble Shooting:

Below are a list of common problems and their possible causes.

Fault: The Green LED Test Switch indicator is not illuminated.

Check: A.C. is connected and is turned on.
Battery is connected
Test Switch for damage.

Fault: Lamp does not illuminate in emergency mode.

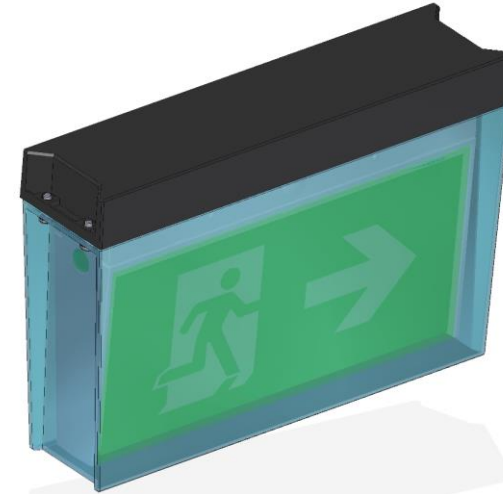
Check: A.C. is connected.
Lamp is correctly inserted.
Battery is connected

Fault: Lamp illuminates in emergency mode, but only stays on for a short period.

Check: Battery has been allowed to charge for at least 24 hours. Battery for damage.



L10™ Freezer Cleverfit Pro LED Exit Installation & Maintenance Instruction Leaflet



Australia (Head Office)
Website: www.clevertronics.com.au
Email: info@clevertronics.com.au
Phone: +61 3 9559 2700
Fax: +61 3 9559 2799



UK OFFICE
Website: www.clevertronics.co.uk
362 Stockley Close
West Drayton UB7 9BL
Phone: 01895 430 255

Models:

Testing:

Manual Test xx = Blank
Zoneworks xx = ZW
Z/W DATA xx = DATA
Zoneworks HIVE xx = HVG

LWEPRO-xx-FZR

Spare Parts:

1530030	Replacement Battery
8002710	Replacement Emergency LED Board
8002374	Replacement Emergency Driver (Manual Test)
8002373	Replacement Emergency Driver (-ZW, -HVG)

Important:

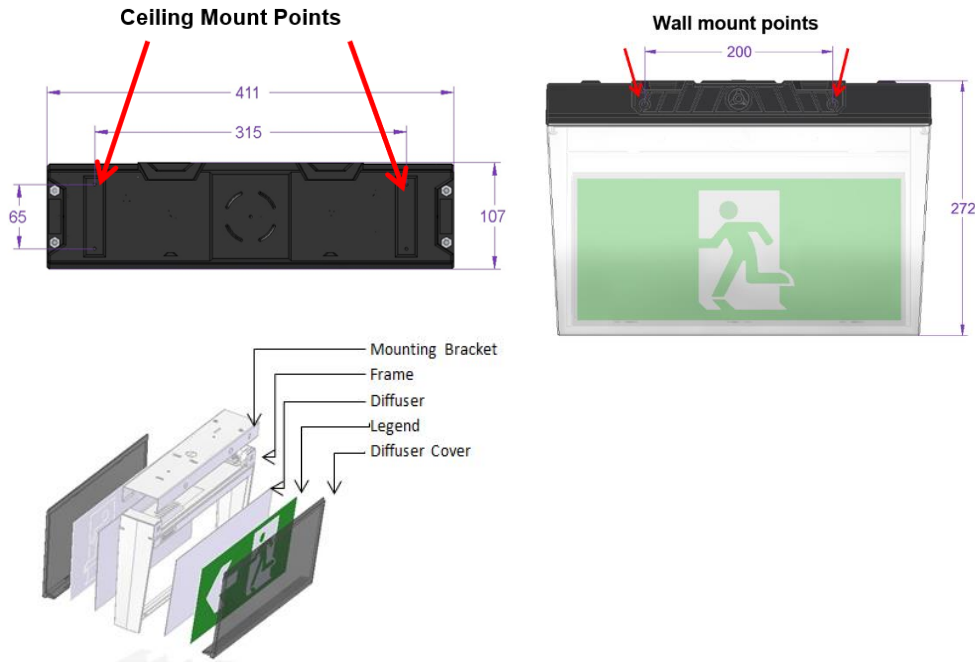
It is illegal for anyone, except for a licensed electrician to install or maintain this product. Before installation, ensure that the electricity supply has been switched off and isolated. Installation must be carried out in accordance with the relevant British Standards.

Installation:

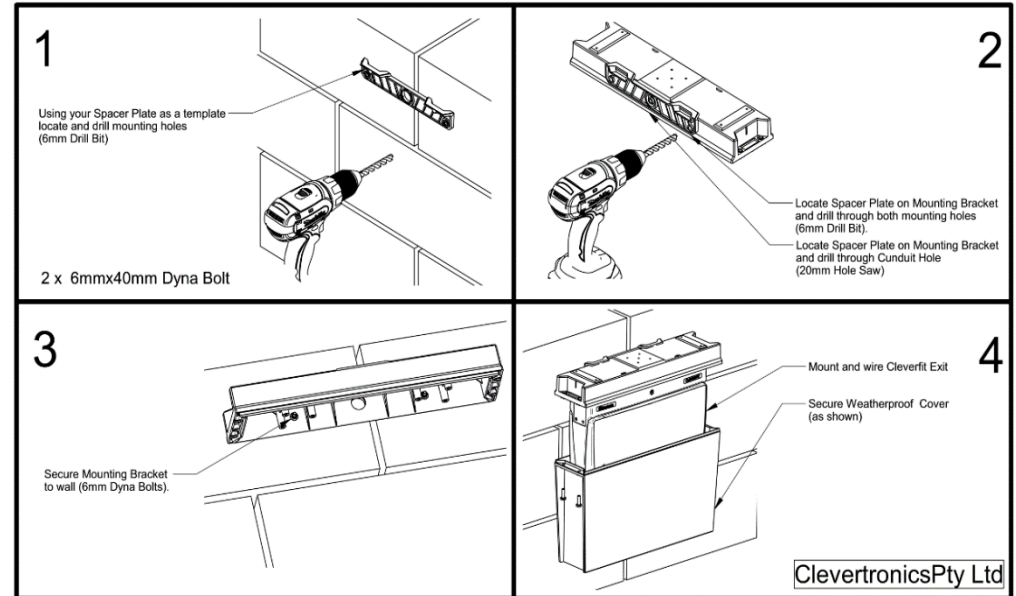
The weatherproof freezer Exit can be installed either Ceiling or Wall Mounted. The Cleverfit PRO Exit sign within the clear weatherproof enclosure uses a "slide connect bracket base" that is mounted inside the weatherproof enclosure and wired into position first. The main body can be installed once the base is wired or later to avoid damage during the construction phase. Please follow the steps below to install the weatherproof freezer Exit;

- Remove the clear cover from the Weatherproof Exit enclosure.
- Remove the Exit sign packaged with the Weatherproof enclosure and place it aside
- Determine if the enclosure is to be ceiling or wall mounted
- WALL MOUNT – refer to the image and instruction on the adjoining page (be sure to drill a 20mm hole for the cable entry)
- CEILING MOUNT
 - Drill a 20mm hole in the top of the bracket for the cable entry
 - Position the base in the mounting position.
 - Using the base as a guide, mark the holes for mounting and one for mains access. Then install the base using appropriate fixings (not supplied).
- After installation of the base (wall or ceiling mount) disengage the exit body from the slide bracket.
- Position the Exit sign slide bracket onto the base of the Weatherproof Enclosure and fix the base of the EXIT sign to the base of the Weatherproof Enclosure using the screws provided. Refer to accompanying Exit Sign instruction sheet for more detail.
- Route and connect the 240VAC supply to the terminal block in the exit bracket.
- Engage the body into the slide connect bracket
- Ensure all holes have been sealed to maintain weatherproof rating.
- Apply mains power and check that the Exit Sign is operational.
- If flexible wiring is connected to this luminaire and is within arm's reach, the wiring shall be effectively fixed to the wall to reduce the risk of strangulation.

Dimensions:



Wall Mount installation instructions:



Note:

This luminaire (with reinforced insulation between control/LED terminal and AC supply) contains non-user replaceable light source and battery - to be replaced (if required, refer installation instructions for battery replacement) by Clevertronics service personnel/agents or a registered electrician.

Battery Replacement:

1. Prior to any work, isolate the power to the luminaire that requires battery replacement
2. Remove fitting from mounting bracket.
3. Remove Emergency Driver cover from top and disconnect the battery connector.
4. Replace battery and connect to Emergency Driver.
5. Reinstall the Emergency Driver cover.
6. Reinstall the fitting onto the mounting bracket.
7. Refit the Weatherproof Cover, ensure Cover is aligned to maintain the weatherproof seal.

Caution:

On many building sites, power circuits may be cut off in an uncontrolled and repetitive basis during construction. As a result, any Exit & Emergency Units, on these circuits, will have their batteries discharged or "cycled". The Li-ion battery in the Exit & Emergency Unit has been selected to give excellent long life performance in a controlled IEC 60598-2-22 testing environment. Excessive battery cycling will reduce through-life performance and may lead to premature battery failure. Battery warranty claims, as a result of such abuse, are specifically EXCLUDED from Clevertronics warranty terms.

Warranty:

For Product Warranty information and Terms and Conditions of Sales please refer to our website <https://clevertronics.co.uk/product-warranty-statement/>