

THIS PAGE IS INTENTIONALLY LEFT BLANK

LED Bulklite Installation & Maintenance Instruction Leaflet



Victoria (Head Office & Manufacturing)

Website: www.clevertronics.com.au

Email: info@clevertronics.com.au

Phone: +61 3 9559 2700

Fax: +61 3 9559 2799

New South Wales

Phone: +61 2 8805 6400

Fax: +61 2 8805 6444

Queensland

Phone: +61 7 3442 9700

Fax: +61 7 3442 9777

South Australia/Northern Territory

Phone: +61 8 8301 8800

Fax: +61 8 8351 8286

Western Australia

Phone: +61 8 9207 0000

Fax: +61 8 9207 0088

New Zealand

Phone: +64 800 548 448

UK OFFICE

Website: www.clevertronics.co.uk

362 Stockley Close

West Drayton UB7 9BL

Phone: 01895 430 255



Models: FBULK

Options:

Spare Parts:

8050790 HWSUB: CT10754-D2 Petrus LED Strip - 2835 LP/L10

8002968 PCA: CT10142-L9 6C150 UPS ONLY Vert Con 250mA Batt

Important:

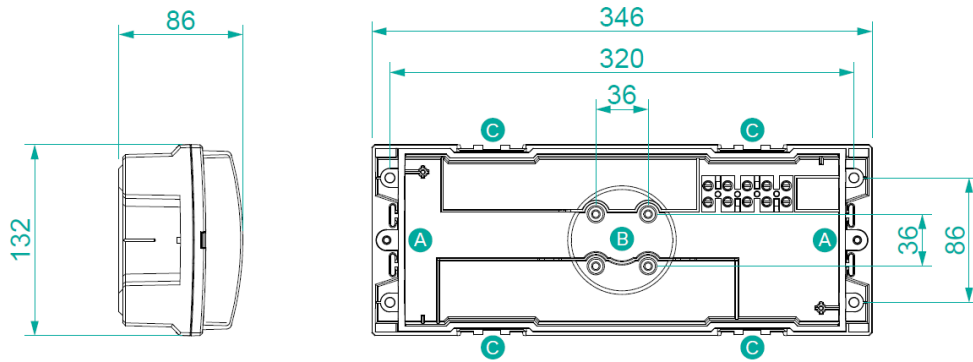
It is illegal for anyone, except for a licensed electrician to install or maintain this product. Before installation, ensure that the electricity supply has been switched off and isolated. Installation must be carried out in accordance with the relevant Country Standards.

Installation:

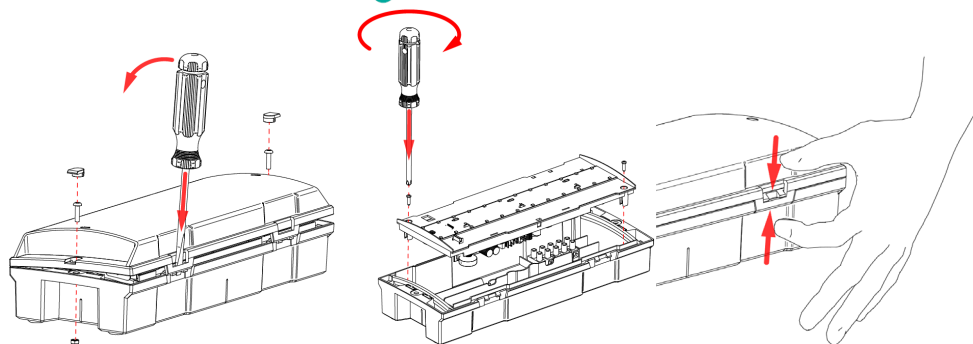
This FBULK Surface Mount Luminaire can be installed on solid or T-BAR ceilings/surfaces or used to replace an existing unit.

- Locate the installation position.
- Remove the diffuser by levering the 4 clips holding the diffuser (see Below image on how to do this).
- Remove Gear tray by undoing the 2 screws holding it in place (using a suitable screwdriver)
- Pre-drill mounting holes (Image showing it below).
- Mount base plate and use suitable fixings to secure the base plate into the pilot holes (including consideration of maintaining the IP rating)
- Bring in supply cables via the rear entry hole or via the ends of the base you will need to drill a suitable hole where cable entry is required).
- Terminate the supply cables to the switched Live, Neutral & Earth Loop terminals.
- Push the gear tray back into position and secure in place using the two screws.
- Install the diffuser by pushing it down and squeezing the clips together. Verify that all 4 clips are properly engaged this is ensure the IP seal is (image below)

Dimensions/Installation:

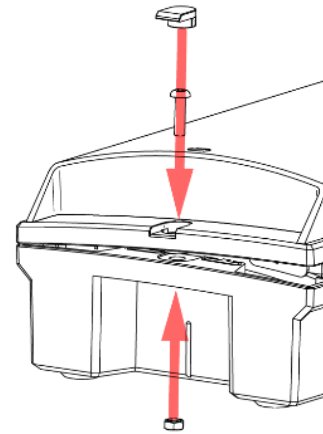


- A END CABLE ENTRY
- B CENTRE CABLE ENTRY
- C COVER CLIP



Securing the Diffuser

To secure the diffuser you can add the provided screw and nut. To do this add the nut into the slot provided in the base then use the screw to fix in place.



Warranty:

For Product Warranty information and Terms and Conditions of Sales please refer to our website <http://clevertronics.com.au/terms-conditions-sale-australia-nz/> <https://clevertronics.co.uk/product-warranty-statement/>