

## Zoneworks, HIVE and DATA Monitored Options

Fittings with part numbers -ZW, -HVG, -DATA are fitted with Zoneworks communications modules (nodes). These fittings are monitored using either Powerline Carrier Technology that utilize the power cable to provide data communication, RF transceiver modules operating in the ISM band or a dedicated data cable to/from data routers installed on a dedicated data trunk connected to a central Server (can also be connected via Ethernet/Internet/Fibre). Zoneworks software on the server is used to monitor, coordinate testing and collate test data from each fitting. Zoneworks Fittings can be commissioned by a single push of the test switch or by scanning the supplied barcode. The LED Test Switch indicator provides a multifunction indication of the status of the fitting during testing and normal operation:

Option	State	LED Operation
ZW, HVG, DATA	Commissioned	LED on Solid (Green)
ZW, DATA	Un-commissioned	<b>Batt plugged-in:</b> yellow 1s, green 1s
		<b>Batt unplugged:</b> red 1s, off 1s
HVG	Un-commissioned With network connectivity	<b>Batt plugged-in:</b> yellow 1s, green 1s
		<b>Batt unplugged:</b> red 1s, off 1s
HVG	Un-commissioned Without network connectivity	<b>Batt plugged-in:</b> yellow 250mS, green 250mS, yellow 250mS, green 250mS, green 1s
		<b>Batt unplugged:</b> red 250mS, off 250mS, red 250mS, off 250mS, off 1s
ZW, DATA	Emergency Light Test In Progress	LED flashes at yellow 5s , Off 1s
HVG	Emergency Light Test In Progress	LED flashes at yellow 1s , Off 1s

In the case of the DATA version a 2-way "figure 8" cable and terminal block facilitates the connection to the DATA network via a multi-drop bus (daisy chain connection). For further information of installation of a Zoneworks system, please refer to the Zoneworks Users Guide and Commissioning Guide (incl. DATA version)

## DALI EM Option

Luminaires with part numbers having -DALI are fitted with DALI modules (nodes) that facilitate connection and integration to 3<sup>rd</sup> Party Lighting Control Systems. Before installing the -DALI fitting please confirm that the Lighting Control System has the capability to monitor DALI Emergency Luminaires. The -DALI fitting will be addressed and configured into the control system by the Lighting Control System Commissioning Technicians and not Clevertronics.

State	LED Operation
Commissioned/ Un-commissioned	LED on Solid (Green)
Emergency Light Test in progress	LED flashes at 1s On (Yellow) & 1s Off
"IDENTIFY COMMAND"	Fitting goes into emergency mode for 10 seconds

A 2-way "figure 8" cable and terminal block facilitates the connection to the DALI network OR a 5/6way "structured wiring system" lead and plug facilitating the power and DALI connection. DALI connections are marked as Da Da.

## Clevertest and Clevertest Plus


Refer to the supplementary operation guide supplied with the Product.

After Power ON, the Status LED on a Clevertest Plus enabled fitting will display a rapid Green or Red flashing for a period up to 2 minutes.



## L10™ LIFELIGHT Surface Mount Emergency Luminaire Installation & Maintenance Instruction Leaflet




NOTE: Standard product codes with this symbol  are enabled with Clevertest Plus capability. Please refer to the operation guide supplied with the product for details.



**Australia (Head Office)**  
Website: [www.clevertronics.com.au](http://www.clevertronics.com.au)  
Email: [info@clevertronics.com.au](mailto:info@clevertronics.com.au)  
Phone: +61 3 9559 2700

**UK OFFICE**  
Website: [www.clevertronics.co.uk](http://www.clevertronics.co.uk)  
Email: [uksales@clevertronics.co.uk](mailto:uksales@clevertronics.co.uk)  
Phone: +44 0 1895 430 255

### Models: LLIFE-SM-xx-yy-zz-ww

Testing:		Options:	
Manual Test	xx = Blank	zz = D	Dome
Zoneworks	xx = ZW	yy = TP	Tamperproof
Z/W DATA	xx = DATA	ww = BLK	Colour, Black
DALI Registered	xx = DALI 		
HIVE	xx = HVG		

### Spare Parts:

8050176	HWSUB: CT10696-D1 (Lamp)
1530071	BATTERY: L10 3.3V 2.5AH 200mm Id, no Brkt
8002905	PCA: LLIFE CT10260-L5 1C450 CTP Vert Connectors
8002907	PCA: LLIFE CT10260-L5 1C450 HVG HIVE Vert Connectors

### Important:

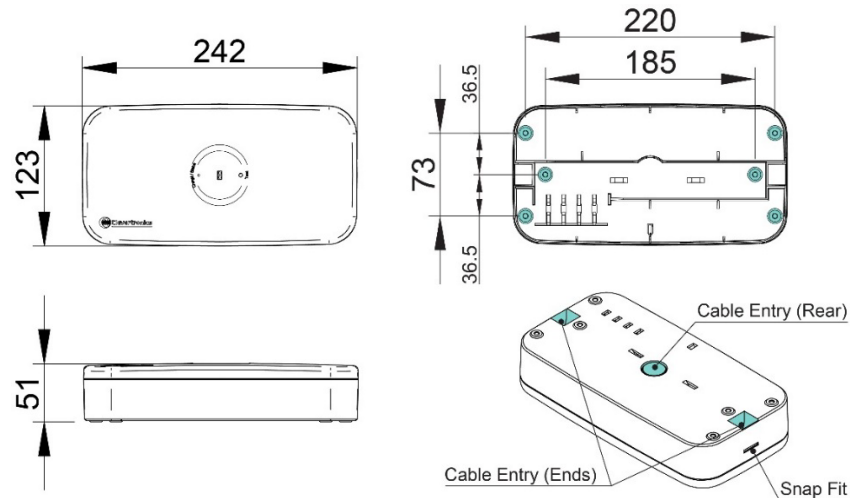
It is illegal for anyone, except for a licensed electrician to install or maintain this product. Before installation, ensure that the electricity supply has been switched off and isolated. Installation must be carried out in accordance with the relevant British Standards.

## Installation:

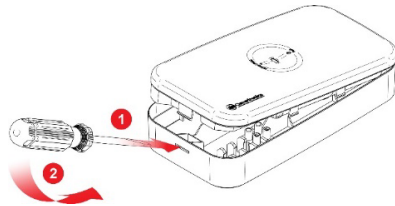
The LLIFE-SM is a Non-Maintained Surface Mount (SM) fitting that can be attached directly to any solid surface (use appropriate fixings to suit the mounting surface). Please follow the steps below to install the LLIFE-SM:

- Remove the Lid from the Base by using a flat screwdriver to release the snap fits (see below)
- Cut/Drill out Cable Entry points (see image below)
- Drill out the required fixing holes on the Base (see image below)
- Mark holes on mounting surface (use drilled out holes on the Base as a template)
- Mount Base using appropriate fixings to ensure a secure installation (pre-drill holes if required)
- Insert Mains Cables through Cable Entry
- Terminate the Mains Cables into terminal block. Ensure Live, L & Neutral, N wires are connected as per Terminal Block Label. Earth is not required, if Earth is brought in, it can be terminated to E.
- Re-attach Lid Assembly, ensuring to align Mains Connector Pins into Terminal Block
- Where QR/Barcode labels have been supplied with the product, ensure one of the QR/Barcode labels is adhered to a visible surface on the base of the product.
- If the CTP capabilities are activated, please affix the CTP Status Label to a visible surface and Four Segment Marking on the product add an "F" in third segment block.

## Dimensions:



## Lid Removal:



## Note:

This luminaire (with reinforced insulation between control/LED terminal and AC supply) contains non-user replaceable light source and battery - to be replaced (if required, refer installation instructions for battery replacement) by Clevertronics service personnel/agents or a registered electrician.

## Battery Replacement:

1. Prior to any work, isolate the power to the luminaire that requires battery replacement
2. Open the fitting by removing the Lid as shown in Lid Removal.
3. Remove the Battery Connector from the Emergency Driver board.
4. Remove the battery from the Lid pressing out one end first.
5. Replace battery, reconnect battery connector to Emergency Driver board.
6. Reinstall the Lid, ensure both ends are clipped in.

## Testing Procedure:

Once connected to the 240V mains supply, the unit must be allowed to charge the battery for at least 24 hours. Conduct the following tests:

- The emergency lamp must illuminate for at least 180 min after disconnection from the mains. If the unit fails to illuminate for the requisite time, remedial action must be taken to repair the situation and once completed, the unit must pass a subsequent test.
- Press and hold Test Button or switch Off Mains Supply, check that the emergency lamp is On.
- Release the Test Button or Switch On Mains Supply, check that the emergency lamp is Off (Non-maintained operation).

## Trouble Shooting:

Below are a list of common problems and their possible causes:

### Fault: The Green LED indicator is not illuminated.

Check: A.C. is connected and is turned on.  
Battery is connected.  
Test Switch for damage.

### Fault: Lamp does not illuminate in emergency mode.

Check: A.C. is connected.  
Lamp is correctly inserted.  
Battery is connected.

### Fault: Lamp illuminates in emergency mode, but only stays on for a short period.

Check: Battery has been allowed to charge for at least 24 hours.  
Battery for damage.

## Caution:

On many building sites, power circuits may be cut off in an uncontrolled and repetitive basis during construction. As a result, any Exit & Emergency Units, on these circuits, will have their batteries discharged or "cycled". The Li-ion battery in the Exit & Emergency Unit has been selected to give excellent long-life performance in a controlled IEC 60598-2-22 testing environment. Excessive battery cycling will reduce through-life performance and may lead to premature battery failure. Battery warranty claims, as a result of such abuse, are specifically EXCLUDED from Clevertronics warranty terms.

## Warranty:

For Product Warranty information and Terms and Conditions of Sales please refer to our website <https://clevertronics.co.uk/product-warranty-statement/>