

After Power ON, the Status LED on a Clevertest Plus enabled fitting will display a rapid Green or Red flashing for a period up to 2 minutes.

**Zoneworks, HIVE (HV/HVG) and DATA Monitored Options**

Fittings with part numbers -ZW, -HV, -HVG, -DATA are fitted with Zoneworks communications modules (nodes). These fittings are monitored using either Powerline Carrier Technology that utilize the power cable to provide data communication, RF transceiver modules operating in the ISM band or a dedicated data cable to/from data routers installed on a dedicated data trunk connected to a central Server (can also be connected via Ethernet/Internet/Fibre). Zoneworks software on the server is used to monitor, coordinate testing and collate test data from each fitting. Zoneworks Fittings can be commissioned by a single push of the test switch or by scanning the supplied barcode. The LED Test Switch indicator provides a multifunction indication of the status of the fitting during testing and normal operation:

| Option            | State   | LED Operation  |
|-------------------|---|--|
| ZW, HV, HVG, DATA | Commissioned                                    | LED on Solid (Green)   |
| ZW, DATA          | Un-commissioned                                 | <b>Batt plugged-in:</b> yellow 1s, green 1s  |
|                   |   | <b>Batt unplugged:</b> red 1s, off 1s  |
| HV, HVG           | Un-commissioned<br>With network connectivity    | <b>Batt plugged-in:</b> yellow 1s, green 1s  |
|                   |   | <b>Batt unplugged:</b> red 1s, off 1s  |
| HV, HVG           | Un-commissioned<br>Without network connectivity | <b>Batt plugged-in:</b> yellow 250mS, green 250mS, yellow 250mS, green 250mS, green 1s |
|                   |   | <b>Batt unplugged:</b> red 250mS, off 250mS, red 250mS, off 250mS, off 1s              |
| ZW, DATA          | Emergency Light Test In Progress                | LED flashes at yellow 5s , Off 1s  |
| HV, HVG           | Emergency Light Test In Progress                | LED flashes at yellow 1s , Off 1s  |

In the case of the DATA version a 2-way “figure 8” cable and terminal block facilitates the connection to the DATA network via a multi-drop bus (daisy chain connection). For further information of installation of a Zoneworks LW system, please refer to the Zoneworks Users Guide and Commissioning Guide (incl. DATA version)

**DALI EM Option**

Clevertests with part numbers -DALI are fitted with DALI modules (nodes) that facilitate connection and integration to 3<sup>rd</sup> Party Lighting Control Systems. Before installing the fitting please confirm that the Lighting Control System has the capability to monitor DALI Emergency Luminaires. The fitting will be addressed and configured into the control system by the Lighting Control System Commissioning Technicians and not Clevertronics.

| State                            | LED Operation                                   |
|----------------------------------|---|
| Commissioned/ Un-commissioned    | LED on Solid (Green)                            |
| Emergency Light Test in progress | LED flashes at 1s On (Yellow) & 1s Off          |
| “IDENTIFY COMMAND”               | Fitting will flash the Main Lamp for 30 Seconds |

A 2-way “figure 8” cable and terminal block facilitates the connection to the DALI network. DALI connections are marked as Da Da.

# L10™ Cleverfit LED Exit

## Installation & Maintenance Instruction Leaflet



**Victoria (Head Office & Manufacturing)**  
 Website: [www.clevertronics.com.au](http://www.clevertronics.com.au)  
 Email: [info@clevertronics.com.au](mailto:info@clevertronics.com.au)  
 Phone: +61 3 9559 2700  
 Fax: +61 3 9559 2799


**New South Wales**  
 Phone: +61 2 8805 6400  
 Fax: +61 2 8805 6444  
**Queensland**  
 Phone: +61 7 3442 9700  
 Fax: +61 7 3442 9777

**South Australia/Northern Territory**  
 Phone: +61 8 8301 8800  
 Fax: +61 8 8351 8286

**Western Australia**  
 Phone: +61 8 9207 0000  
 Fax: +61 8 9207 0088

**New Zealand**  
 Phone: +64 800 548 448

Designed in Australia to comply with the requirements of AS2293.3: 2005 and AS/NZS CISPR15: 2011

NOTE: Standard product codes with this symbol  are enabled with Clevertest Plus capability. Please refer to the operation guide supplied with the product for details.

| Models:              | LCFLED-xx-zz       | CleverFit Exit                     |
|----------------------|--------------------|------------------------------------|
| Testing:             | LCFLED-TH-xx-zz-yy | CleverFit Theatre Exit             |
|                      | Options:           |                                    |
| Manual Test          | xx = Blank         | Running Man yy =R                  |
| Zoneworks            | xx = ZW            | Running Man Left Arrow yy =RL      |
| Zoneworks DATA       | xx = DATA          | Running Man Right Arrow yy =RR     |
| Zoneworks HIVE       | xx = HV/HVG        | Double sided R/M yy =DS-R          |
| DALI                 | xx = DALI          | Double sided R/M Arrow yy =DS-RAOW |
| DALI-2               | xx=D2              | Black Colour yy =BLK               |
| Clevertest Essential | xx = CTE           | Special Decal yy = SP              |
|                      |                    | Tamper Proof zz =TP                |

**Spare Parts:**

- 1530090 Replacement Battery
- 8002710 Replacement LED Strip
- 8002349 Replacement Emergency Driver (-CTP, -ZW)
- 8002358 Replacement Emergency Driver (-DALI, -D2, -HV)

**Important:**

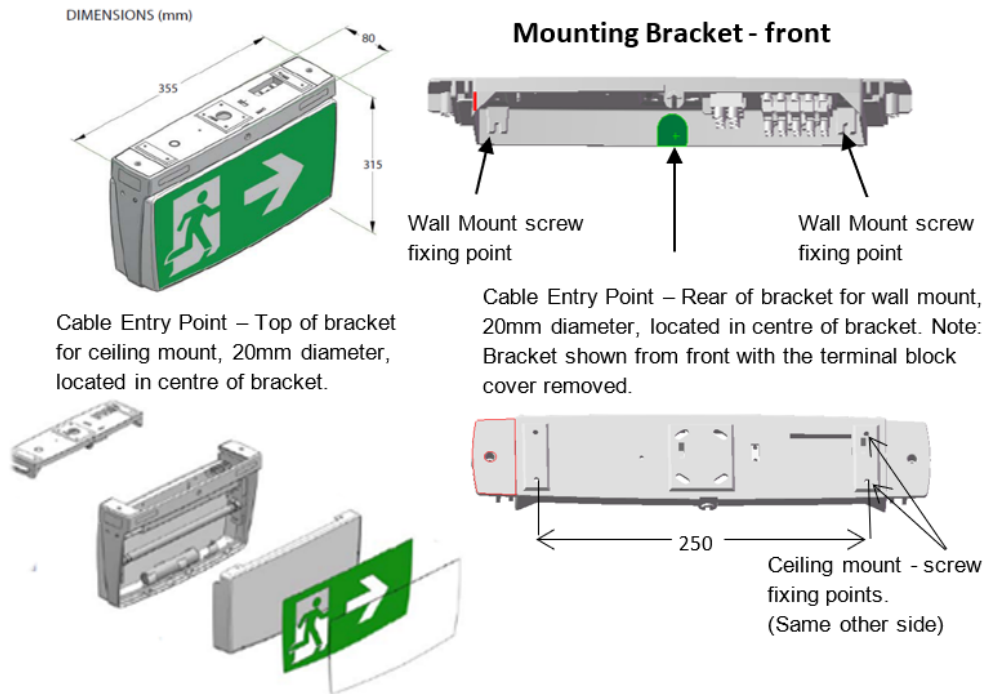
It is illegal for anyone, except for a licensed electrician to install or maintain this product. Before installation, ensure that the electricity supply has been switched off and isolated. Installation must be carried out in accordance with the relevant Australian and International Standards.

## Installation:

The L10 Cleverfit LED Exit can be installed either Ceiling or Wall Mounted and can be mounted perpendicular to a wall using the (optional) Cleverfit Cantilever Bracket. The fitting uses a "slide connect bracket base" that is mounted and wired into position first. The main body can be installed once the base is wired or later to avoid damage during the construction phase. Please follow the steps below to install the Cleverfit Exit:

- Disengage the slide connect bracket from the exit body. Position the base in the mounting position.
- Using the bracket as a guide, mark 2 holes for mounting and one for mains access. Then install the bracket using appropriate fixings (not supplied).
- Connect the 240VAC supply to the mounting bracket.
- Configure all the mounting parts and cable entry points as below (if required) and engage the body into the slide connect bracket. Apply mains power and check that the Cleverfit Exit is operational.
- If the CTP capabilities are activated, please affix the CTP status Label to a visible surface and Four Segment Marking on the product will include an "F" in third segment block.

## Images and Dimensions:



## Changing Exit Legend Inserts:

The Cleverfit Exit uses Clevertronics patented "Tamper proof" Exit legend cover and comes complete with spare legend inserts to enable straight on, left or right arrow as well as SS/DS combinations.

To change an Exit legend insert first remove the diffuser. The clear tamper proof cover is held in place by 3 locking tabs in the top inside area of the diffuser. Use a tool to disengage and push the locking tabs through to release the cover and remove the insert, replacing it with the desired one. When double sided is required remove the cardboard insert from the second side when adding decal.

To re-install the clear cover, first engage the 3 small lugs on the bottom of the cover into their respective recesses in the diffuser. Once sure the lugs are located, and then the 2 side lugs, carefully push the 3 locking tabs back in, to complete the process.

## Testing:

Once connected to the 240V mains supply, the unit must be allowed to charge the battery for at least 24 hours. Conduct the following tests:

- For the first test, the emergency lamp must remain illuminated for at least 2 hours after disconnection from the mains supply.
- Subsequent tests require the unit to illuminate for at least 90 minutes. The results of all tests are required to be recorded in a service logbook, which is to be kept on-site at all times. If the unit fails to remain illuminated for the requisite time, remedial action must be taken to repair the situation and once completed, the unit must pass a subsequent test. For more specific information, please refer to the current edition of the AS 2293.3 Standard.

## Cleverfit Maintenance:

### Lamp Replacement:

- Use only the lamp(s) recommended on the label inside the Cleverfit.
- To replace the lamp bar, remove the self-tapping screws, disconnect the signal cable and install the new lamp bar.

### Battery Replacement:

- Use only the battery recommended on the label inside the Cleverfit and on this instruction.
- Remove the cable ties holding the battery, un-plug the lead from the PCB and remove the old battery.
- Clip the new battery into the holder, route the DC cable to the PCB and plug the new battery into the PCB.
- Secure the battery using suitable cable ties

## Trouble Shooting:

Below are a list of common problems and their possible causes.

### Fault: The Green LED Test Switch indicator is not illuminated.

Check: A.C. is connected and is turned on.  
Battery is connected  
Test Switch for damage.

### Fault: Lamp does not illuminate in emergency mode.

Check: A.C. is connected.  
Lamp is correctly inserted.  
Battery is connected

### Fault: Lamp illuminates in emergency mode, but only stays on for a short period.

Check: Battery has been allowed to charge for at least 24 hours.  
Battery for damage.

## Rated Emergency Lumen Output in accordance with AS2293.1 (refer to spacing tables for installation positions):

Refer to the Technical Label for classification information.

## Caution:

On many building sites, power circuits may be cut off in an uncontrolled and repetitive basis during construction. As a result, any Exit & Emergency Units, on these circuits, will have their batteries discharged or "cycled". The battery in this fitting has been selected to give excellent long-life performance in a controlled AS2293 testing environment. Excessive battery cycling will reduce through-life performance and may lead to premature battery failure. Battery warranty claims, as a result of such abuse, are specifically EXCLUDED from Clevertronics warranty terms.

## Warranty:

For Product Warranty information and Terms and Conditions of Sales please refer to our website <http://clevertronics.com.au/terms-conditions-sale-australia-nz/>