

## Note:

This luminaire (with reinforced insulation between control/LED terminal and AC supply) contains non-user replaceable light source and battery - to be replaced (if required, refer installation instructions for battery replacement) by Clevertronics service personnel/agents or a registered electrician.

## Battery Replacement:

1. Prior to any work, isolate the power to the luminaire that requires battery replacement.
2. Remove Cover Plate, and either remove Solid surface screws or turn Clamping screws anticlockwise to remove fitting.
3. Remove cover and remove the Battery Connectors from the parallel joiner (CT10146).
4. Replace BOTH batteries, connect both batteries to the parallel joiner.
5. Replace cover and reinstall the fitting, including the faceplate.

## Testing Procedure:

When the unit is connected to the un-switched active, it must be allowed to charge the battery for at least 24 hours. The emergency lamp only illuminates during a power fail. Conduct the following tests:

- The emergency lamp must illuminate for at least 180 min after disconnection from the mains. If the unit fails to illuminate for the requisite time, remedial action must be taken to repair the situation and once completed, the unit must pass a subsequent test.
- Press and hold Test Button, the product will go into Dynamic Red mode for the initial 120 seconds of the test button being pressed and then switch to Dynamic Green, check that the emergency lamp at base is On while button is pressed. Release the Test Button, check that fitting returns to state prior to test.

NOTE: Initiating a 1 minute Function test using the Zoneworks Software will trigger the Dynamic Red Mode for 60 seconds then return to normal operation.

Initiating a Duration test using the Zoneworks Software will trigger the Dynamic Red Mode for 120 seconds then Dynamic Green until the Duration test is complete then return to normal operation.

\*The Test button needs to be held for longer than 1 seconds for the product to go into Emergency Mode.

## Trouble Shooting:

Below are a list of common problems and their possible causes.

**Fault: The Green LED Test Switch indicator is not illuminated.**

Check: A.C. is connected and is turned on.  
Battery is connected  
Test Switch for damage.

**Fault: Lamp does not illuminate in emergency mode.**

Check: A.C. is connected.  
Lamp is correctly inserted.  
Battery is connected

**Fault: Lamp illuminates in emergency mode, but only stays on for a short period.**

Check: Battery has been allowed to charge for at least 24 hours.  
Battery for damage.

**Fault: The Dynamic Green is not sequencing.**

Check: The 24 Volt/VF control is connected and turned on.  
Polarity of 24V control.  
Check that the correct interface control is selected.

**Fault: The Dynamic Red is not illuminated.**

Check: The 24 Volt/VF control is connected and turned on.  
Polarity of 24V control.  
Check that the correct interface control is selected.  
Check that the Dynamic Red is activated on the dip switches.

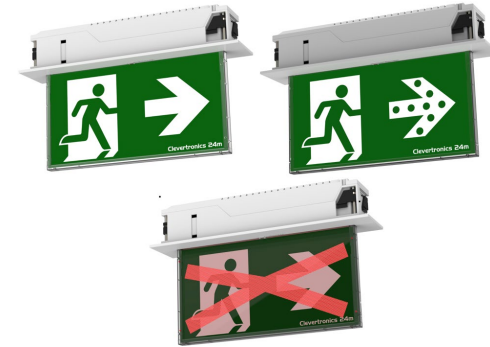
## Warranty:

For Product Warranty information and Terms and Conditions of Sales please refer to our website <https://clevertronics.co.uk/product-warranty-statement/>



# CLP™ UltraBlade Pro Dynamic Red

## Installation & Maintenance Instruction Leaflet



Australia (Head Office)  
Website: [www.clevertronics.com.au](http://www.clevertronics.com.au)  
Email: [info@clevertronics.com.au](mailto:info@clevertronics.com.au)  
Phone: +61 3 9559 2700



UK OFFICE  
Website: [www.clevertronics.co.uk](http://www.clevertronics.co.uk)  
Email: [sales@clevertronics.co.uk](mailto:sales@clevertronics.co.uk)  
Phone: 01895 430 255

## Models: DYRC-xUP-uu-vv-ww-xx-yy

### Testing:

Zoneworks	xx = ZW
Z/W DATA	xx = DATA
Zoneworks HIVE	xx = HVG

Normally Open	ww=NO
Normally Closed	ww=NC
Activated Only by Fire Panel	ww=AOFP
Weatherproof	x=W

### Options:

Running man with right	yy=RR
Running man with left	yy=RL
Running man with Up	yy=RU
Running man with down	yy=RD

Dynamic Green Disabled	uu=DDG
Theater Mask	vv=TH

### Spare Parts:

1553050	Replacement Battery (3.2V 3200mAh)
1553250	Replacement Battery (3.2V 6400mAh)
UKM02570110002	Replacement Emergency Driver

### Important:

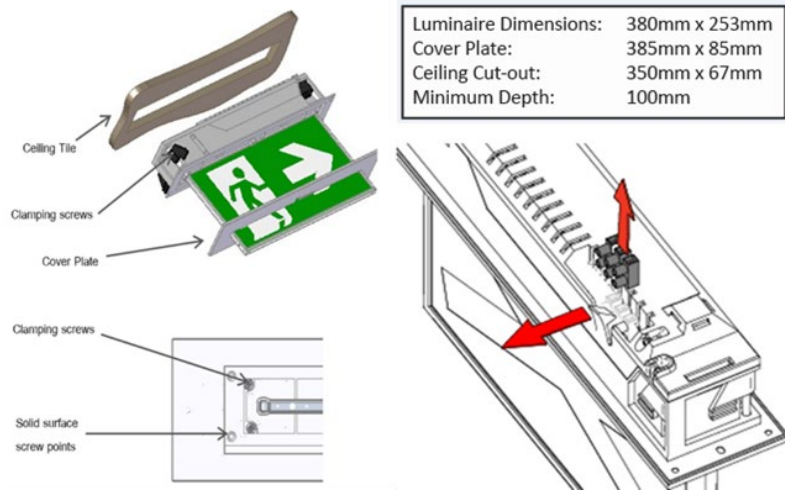
It is illegal for anyone, except for a licensed electrician to install or maintain this product. Before installation, ensure that the electricity supply has been switched off and isolated. Installation must be carried out in accordance with the relevant British Standards.

Clevertronics Pty Ltd is a vendor of CleverEVAC products. It is not a fire engineer or designer. It does not purport to recommend its products for use in any particular application or to achieve any particular outcome. Purchasers and users of its products must take their own steps to ensure compliance with statutory requirements, safe practice and suitable application of the products.

## Installation:

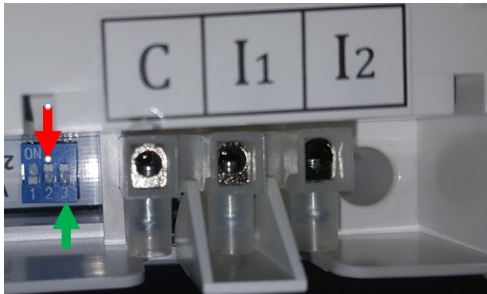
The CLP UltraBlade Pro Dynamic Red is a recessed ceiling mount fitting. The UltraBlade Pro Dynamic Red can be attached directly to any solid surface, or to a ceiling tile. The Fitting comes with an attached Flex. Please follow the steps below to install the Exit:

- Create a cut-out (350mm x 70mm) in the mounting surface.
- Remove the Fire Panel Input terminal block by disengaging the clip. Refer to Image below.
- Route the power cord to the mains connection and connect the 240VAC supply.
- Route 24V/VF control cables through the access hole and connect to the terminal block as per next step.
- Connect positive signal of RED activation to I2 and negative signal to C (Common).
- Connect positive signal of GREEN activation to I1 and negative signal to C (Common).
- Reinstall the terminal block.
- Insert the Fitting into the ceiling cavity tighten the (4) clamping screws.
- Alternately, fix the Fitting to a solid surface using (4) screws through the surface material.
- Install the cover plate.
- Apply power to the fitting and test.



## Dynamic Red 24 Volt (24V)/Volt Free (VF) Operation and Testing

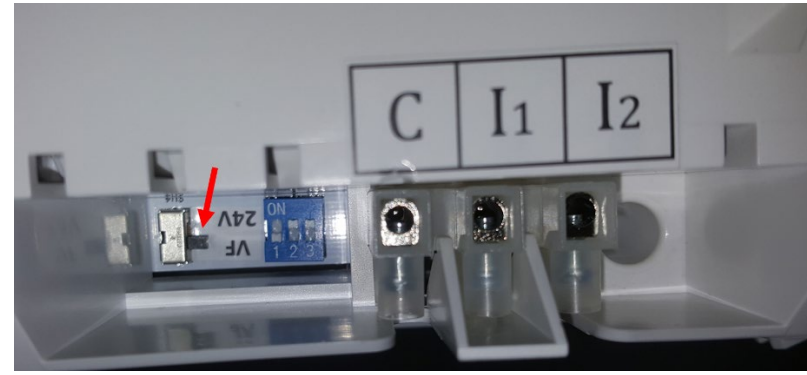
Activation of the Dynamic Red/Green is controlled via 24V/VF control interface. The fitting comes pre-set as normally OFF. This is switched via an intelligent circuit inside the fitting. This is controlled by the 24V/VF input from a fire panel or other source. If you would like to change the activation of the Dynamic Red/Green from Normally OFF to Normally ON change the Dip Switch no.2 (RED)/ no.3 (GREEN) found next to the fire Panel Input terminal block.



**NOTE:** For the Dip Switch setting to take effect the power and battery will need to be disconnected and reconnected.

## Selecting the Type of the Interface

The fitting comes pre-set to the Volt Free(VF) control interface, to change this to 24V you will have to change the switch from VF to 24V found next to Fire Panel Input Terminal Block. Please see image below.



## Zoneworks, HIVE and DATA Monitored Options

Fittings with part numbers -ZW, -HVG, -DATA are fitted with Zoneworks communications modules (nodes). These fittings are monitored using either Powerline Carrier Technology that utilize the power cable to provide data communication, RF transceiver modules operating in the ISM band or a dedicated data cable to/from data routers installed on a dedicated data trunk connected to a central Server (can also be connected via Ethernet/Internet/Fibre). Zoneworks software on the server is used to monitor, coordinate testing and collate test data from each fitting. Zoneworks Fittings can be commissioned by a single push of the test switch or by scanning the supplied barcode. The LED Test Switch indicator provides a multifunction indication of the status of the fitting during testing and normal operation:

Option	State	LED Operation
ZW, HVG, DATA	Commissioned	LED on Solid (Green)
ZW, DATA	Un-commissioned	<b>Batt plugged-in:</b> Amber 1s, green 1s
		<b>Batt unplugged:</b> red 1s, off 1s
HVG	Un-commissioned With network connectivity	<b>Batt plugged-in:</b> Amber 1s, green 1s
		<b>Batt unplugged:</b> red 1s, off 1s
HVG	Un-commissioned Without network connectivity	<b>Batt plugged-in:</b> Amber 250mS, green 250mS, Amber 250mS, green 250mS, green 1s
		<b>Batt unplugged:</b> red 250mS, off 250mS, red 250mS, off 250mS, off 1s
ZW, DATA	Emergency Light Test In Progress	LED flashes at Amber 5s , Off 1s
HVG	Emergency Light Test In Progress	LED flashes at Amber 1s , Off 1s

In the case of the DATA version a 2-way "figure 8" cable and terminal block facilitates the connection to the DATA network via a multi-drop bus (daisy chain connection). For further information of installation of a Zoneworks system, please refer to the Zoneworks Users Guide and Commissioning Guide (incl. DATA version)

## Caution:

On many building sites, power circuits may be cut off in an uncontrolled and repetitive basis during construction. As a result, any Exit & Emergency Units, on these circuits, will have their batteries discharged or "cycled". The Li-ion battery in the Exit & Emergency Unit has been selected to give excellent long life performance in a controlled IEC 60598-2-22 testing environment. Excessive battery cycling will reduce through-life performance and may lead to premature battery failure. Battery warranty claims, as a result of such abuse, are specifically EXCLUDED from Clevertronics warranty terms.