

Clevertest Plus



Clevertest products must be “activated” before self-test functionality will operate. Refer to supplementary operation guide supplied with the Product or linked via QR code on packaging for details.

After Power ON, the Status LED on a Clevertest Plus enabled fitting will display a rapid Green or Red flashing for a period up to 2 minutes.

To register the fitting into Clevertest Plus app see supplementary guide.

Zoneworks, HIVE and DATA Monitored Options

Fittings with part numbers -ZW, -HVG, -DATA are fitted with Zoneworks communications modules (nodes). These fittings are monitored using either Powerline Carrier Technology that utilize the power cable to provide data communication, RF transceiver modules operating in the ISM band or a dedicated data cable to/from data routers installed on a dedicated data trunk connected to a central Server (can also be connected via Ethernet/Internet/Fibre). Zoneworks software on the server is used to monitor, coordinate testing and collate test data from each fitting. Zoneworks Fittings can be commissioned by a single push of the test switch or by scanning the supplied barcode. The LED Test Switch indicator provides a multifunction indication of the status of the fitting during testing and normal operation:

Option	State	LED Operation
ZW, HVG, DATA	Commissioned	LED on Solid (Green)
ZW, DATA	Un-commissioned	Batt plugged-in: yellow 1s, green 1s
		Batt unplugged: red 1s, off 1s
HVG	Un-commissioned With network connectivity	Batt plugged-in: yellow 1s, green 1s
		Batt unplugged: red 1s, off 1s
HVG	Un-commissioned Without network connectivity	Batt plugged-in: yellow 250mS, green 250mS, yellow 250mS, green 250mS, green 1s
		Batt unplugged: red 250mS, off 250mS, red 250mS, off 250mS, off 1s
ZW, DATA	Emergency Light Test In Progress	LED flashes at yellow 5s, Off 1s
HVG	Emergency Light Test In Progress	LED flashes at yellow 1s, Off 1s

In the case of the DATA version a 2-way “figure 8” cable and terminal block facilitates the connection to the DATA network via a multi-drop bus (daisy chain connection). For further information of installation of a Zoneworks system, please refer to the Zoneworks Users Guide and Commissioning Guide (incl. DATA version)

DALI 2 EM Option

Luminaires with part numbers having -D2 are fitted with DALI 2 certified modules (nodes) that facilitate connection and integration to 3rd Party Lighting Control Systems. Before installing the fitting, please confirm that the Lighting Control System has the capability to monitor DALI Emergency Luminaires. The fitting will be addressed and configured into the control system by the Lighting Control System Commissioning Technicians and not Clevertronics.


State	LED Operation
Commissioned/ Un-commissioned	LED on Solid (Green)
Emergency Light Test in progress	LED flashes at 1s On (Yellow) & 1s Off
“IDENTIFY COMMAND”	Lamp and Status LED Flash for 30 seconds

A 2-way “figure 8” cable and terminal block facilitates the connection to the DALI network OR a 5/6way “structured wiring system” lead and plug facilitating the power and DALI connection. DALI connections are marked as Da Da.



L10™ Ultrablade Pro Recessed LED Exit Installation & Maintenance Instruction Leaflet



NOTE: Standard product codes with this symbol  are enabled with Clevertest Plus capability. Please refer to the operation guide supplied with the product for details.

Australia (Head Office)
Website: www.clevertronics.com.au
Email: info@clevertronics.com.au
Phone: +61 3 9559 2700



UK OFFICE
Website: www.clevertronics.co.uk
Email: sales@clevertronics.co.uk
Phone: 01895 430 255

Models:

LUBPRO-ww-xx-yy

Testing:

Manual Test xx = Blank
Zoneworks xx = ZW
Z/W DATA xx = DATA
Zoneworks HIVE xx = HVG
DALI-2 xx = D2

Options:

Colour, Black yy = BLK
Rod Suspended (1.5m rods) ww = RS

Spare Parts:

1533050 Replacement Battery
8002178 Replacement Emergency LED Board
8011493 Replacement Emergency LED Board (-RS)
UKM01370030003 Replacement Emergency Driver
UKM01870020002 Replacement Emergency Driver (-HVG)

Important:

It is illegal for anyone, except for a licensed electrician to install or maintain this product. Before installation, ensure that the electricity supply has been switched off and isolated. Installation must be carried out in accordance with the relevant British Standards.

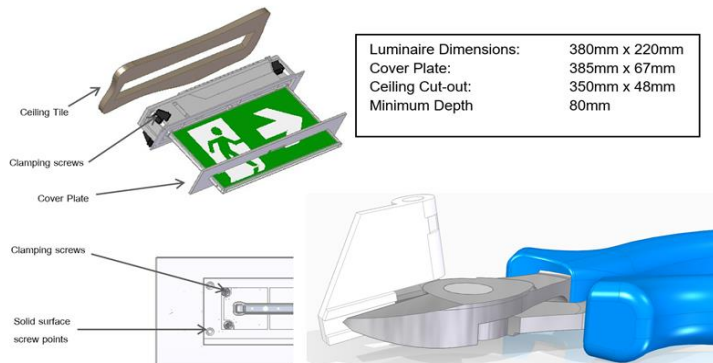
Installation:

The L10 Ultrablade Pro LED Exit (LUBPRO) is a recessed ceiling mount fitting. The LUBPRO can be attached directly to any solid surface, or to a ceiling tile with the integrated clamping mechanisms. The LUBPRO comes with an attached Flex. Please follow the steps below to install the LUBPRO Exit:

- Create a cut-out (350mm x 48mm) in the mounting surface.
- Route the power cord to the mains connection and connect the 240VAC supply.
- Insert the LUBPRO into the ceiling cavity tighten the (4) clamping screws.
- The standard maximum ceiling thickness is 18mm. Trim Clamp as per below image for ceiling thickness up to 25mm.
- Alternately, fix the LUBPRO to a solid surface using (4) screws through the surface material.
- Install the cover plate.
- Apply power to the fitting and test.
- If the external flexible cable or cord of this luminaire is damaged, it shall be exclusively replaced by the manufacturer or his service agent or a similar qualified person to avoid a hazard.
- Terminal block not included. Installation may require advice from a qualified person.
- Recommended specifications of terminal block for connecting leads:
 - Type of Terminal: Screw Terminal
 - Number of Terminals: 3-Pin
 - Rated Voltage: 250 V
 - Rated Connecting Capacity: 10A
- If the CTP capabilities are activated, please affix the CTP Status Label to a visible surface and Four Segment Marking on the product will include an "F" in third segment block.

X	1	A	F	G	1	2	0
---	---	---	---	---	---	---	---

For Rod Suspended (-RS) fittings, please refer to the supplement instruction sheet 1942468 as well.



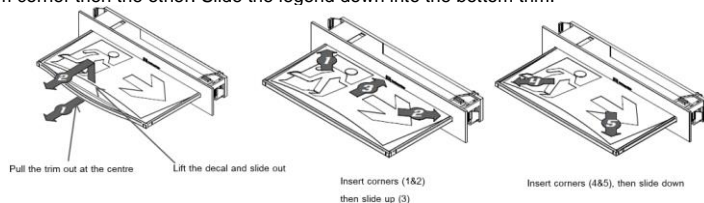
Changing EXIT Legend Inserts:

The Ultrablade Pro Exit comes with an assortment of standard legends.

1. To remove the legend, grasp the centre of the bottom trim piece and pull down slightly to expose the legend edge. See photo.
2. Grasp the bottom edge of the legend and slide the existing legend out of the blade, while working the edges out along the sides.

Slide the new legend into the blade, ensuring to fit the edges into the sides then slide the legend to the top of the blade.

Insert one bottom corner then the other. Slide the legend down into the bottom trim.



Note:

This luminaire (with reinforced insulation between control/LED terminal and AC supply) contains non-user replaceable light source and battery - to be replaced (if required, refer installation instructions for battery replacement) by Clevertronics service personnel/agents or a registered electrician.

If flexible wiring is connected to this luminaire and is within arms reach, the wiring shall be effectively fixed to the wall to reduce the risk of strangulation.

Battery Replacement:

1. Prior to any work, isolate the power to the luminaire that requires battery replacement.
2. Remove fitting from mounting bracket.
3. Remove Emergency Driver cover from top and disconnect the battery connector.
4. Remove rear diffuser cover and remove battery from holder.
5. Replace battery and connect to Emergency Driver.
6. Reinstall the rear diffuser cover and the Emergency Driver cover.
7. Reinstall the fitting onto the mounting bracket.
8. Refit the diffuser retainer and diffuser, ensure diffuser is aligned to maintain the weatherproof seal.

Testing Procedure:

When the unit is connected to the un-switched active, it must be allowed to charge the battery for at least 24 hours. The emergency lamp only illuminates during a power fail. Conduct the following tests:

- The emergency lamp must illuminate for at least 180 min after disconnection from the mains. If the unit fails to illuminate for the requisite time, remedial action must be taken to repair the situation and once completed, the unit must pass a subsequent test.
- Press and hold Test Button or switch Off Mains Supply, check that the emergency lamp is On.
- Release the Test Button or Switch On Mains Supply, check that the emergency lamp is Off (Non-maintained operation).

Trouble Shooting:

Below are a list of common problems and their possible causes.

Fault: The Green LED Test Switch indicator is not illuminated.

Check: A.C. is connected and is turned on.
Battery is connected.
Test Switch for damage.

Fault: Lamp does not illuminate in emergency mode.

Check: A.C. is connected.
Lamp is correctly inserted.
Battery is connected.

Fault: Lamp illuminates in emergency mode, but only stays on for a short period.

Check: Battery has been allowed to charge for at least 24 hours.
Battery for damage.

Caution:

On many building sites, power circuits may be cut off in an uncontrolled and repetitive basis during construction. As a result, any Exit & Emergency Units, on these circuits, will have their batteries discharged or "cycled". The Li-ion battery in the Exit & Emergency Unit has been selected to give excellent long life performance in a controlled IEC 60598-2-22 testing environment. Excessive battery cycling will reduce through-life performance and may lead to premature battery failure. Battery warranty claims, as a result of such abuse, are specifically EXCLUDED from Clevertronics warranty terms.

Warranty:

For Product Warranty information and Terms and Conditions of Sales please refer to our website <https://clevertronics.co.uk/product-warranty-statement/>