

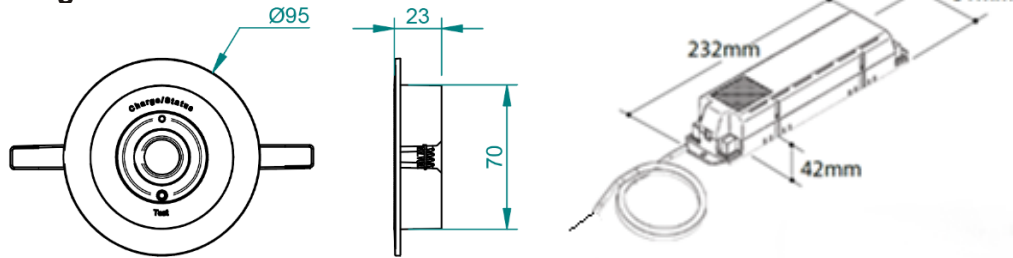
Installation:

This CLIFE Recessed Non-Maintained Emergency Luminaire can be installed on PLASTER or T-BAR ceilings or used to replace an existing unit.

- First plan the assembly layout ensuring the battery is kept away from any heat source.
- Refer Images and Dimensions below for the Cut-out Hole and other dimensions.
- Use the Spring Clip Mount to mount the Head to the ceiling.
- Please ensure the control pack and battery is suspended above the ceiling. If the control pack and battery are to be mounted or placed on top of the ceiling, then please ensure the ceiling is capable of supporting these elements and in compliance with the relevant regulations with respect to mounting above/on the ceiling.
- This luminaire contains non-user replaceable light source and battery.
- If the external flexible cable or cord of this luminaire is damaged, it shall be exclusively replaced by the manufacturer or his service agent or a similar qualified person to avoid a hazard.
- Terminal block not included. Installation may require advice from a qualified person.
- Recommended specifications of terminal block for connecting leads:
 - Type of Terminal: Screw Terminal
 - Number of Terminals: 2
 - Rated Voltage: 250 V
 - Rated Connecting Capacity: 10A

If the CTP capabilities are activated, please affix the CTP status label to a visible surface and Four Segment Marking on the product will include an "F" in third segment block.

Images and Dimensions:



Ceiling Cut-out: 80mm diam.

Battery pack: 165mm (L) x 37mm (W) x 35mm (H)

Lens Replacement

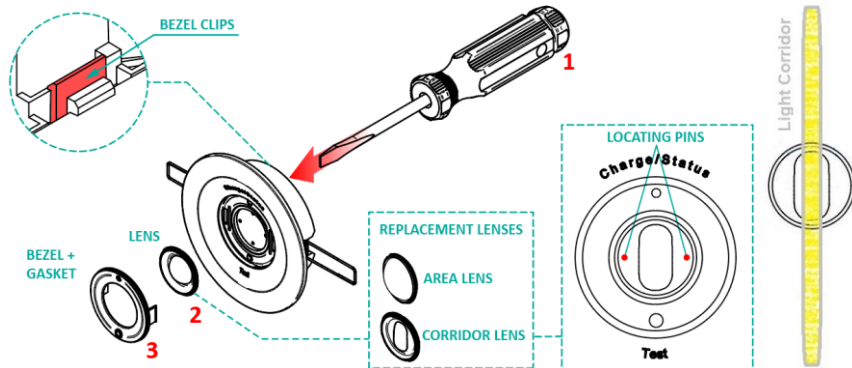
AREA Lens fitted in factory.

STEP 1 - Use a screwdriver to remove the Bezel, Gasket & Lens (Bezel clips highlighted below).

STEP 2 - Replace Lens (for corridor Lens align in required direction using the locating pins).

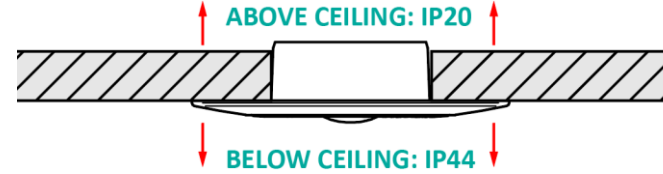
STEP 3 - Replace Bezel & Gasket (ensure Bezel is pressed firmly to ensure a proper seal).

STEP 4 - If Corridor Lens fitted, ensure Emergency light emission is in the required direction.



IP Ratings:

- For all components installed below the ceiling I.E. Face of Head Assembly is rated to **IP44**



Note:

This luminaire (with reinforced insulation between control/LED terminal and AC supply) contains non-user replaceable light source and battery - to be replaced (if required, refer installation instructions for battery replacement) by Clevertronics service personnel/agents or a registered electrician.

If flexible wiring is connected to this luminaire and is within arms reach, the wiring shall be effectively fixed to the wall to reduce the risk of strangulation.

Battery Replacement:

1. Prior to any work, isolate the power to the luminaire that requires battery replacement
2. Remove fitting from mounting bracket.
3. Remove Emergency Driver cover from top and disconnect the battery connector.
4. Remove rear diffuser cover and remove battery from holder.
5. Replace battery and connect to Emergency Driver.
6. Reinstall the rear diffuser cover and the Emergency Driver cover.
7. Reinstall the fitting onto the mounting bracket.
8. Refit the diffuser retainer and diffuser, ensure diffuser is aligned to maintain the weatherproof seal.

Testing Procedure:

When the unit is connected to the un-switched active, it must be allowed to charge the battery for at least 24 hours. The emergency lamp only illuminates during a power fail. Conduct the following tests:

- The emergency lamp must illuminate for at least 180 min after disconnection from the mains. If the unit fails to illuminate for the requisite time, remedial action must be taken to repair the situation and once completed, the unit must pass a subsequent test.
- Press and hold Test Button or switch Off Mains Supply, check that the emergency lamp is On.
- Release the Test Button or Switch On Mains Supply, check that the emergency lamp is Off (Non-maintained operation).

Trouble Shooting:

Below are a list of common problems and their possible causes.

Fault: The Green LED Test Switch indicator is not illuminated.

Check: A.C. is connected and is turned on.
Battery is connected.
Test Switch for damage.

Fault: Lamp does not illuminate in emergency mode.

Check: A.C. is connected.
Lamp is correctly inserted.
Battery is connected.

Fault: Lamp illuminates in emergency mode, but only stays on for a short period.

Check: Battery has been allowed to charge for at least 24 hours.
Battery for damage.

Caution:

On many building sites, power circuits may be cut off in an uncontrolled and repetitive basis during construction. As a result, any Exit & Emergency Units, on these circuits, will have their batteries discharged or "cycled". The Li-ion battery in the Exit & Emergency Unit has been selected to give excellent long life performance in a controlled IEC 60598-2-22 testing environment. Excessive battery cycling will reduce through-life performance and may lead to premature battery failure. Battery warranty claims, as a result of such abuse, are specifically EXCLUDED from Clevertronics warranty terms.