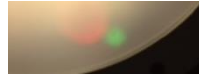


After Power ON, the Status LED on a Clevertest Plus enabled fitting will display a rapid Green or Red flashing for a period up to 2 minutes.

To register the fitting into Clevertest Plus app see supplementary guide.

Status LED Note:

Status LED is High Brightness and may appear as two separate spots as seen below. If Red and Green are seen at the same time, this needs to be taken as Yellow in this instruction and other documents.



Zoneworks, HIVE and DATA Monitored Options

Fittings with part numbers -ZW, -HVG, -DATA are fitted with Zoneworks communications modules (nodes). These fittings are monitored using either Powerline Carrier Technology that utilize the power cable to provide data communication, RF transceiver modules operating in the ISM band or a dedicated data cable to/from data routers installed on a dedicated data trunk connected to a central Server (can also be connected via Ethernet/Internet/Fibre). Zoneworks software on the server is used to monitor, coordinate testing and collate test data from each fitting. Zoneworks Fittings can be commissioned by a single push of the test switch or by scanning the supplied barcode. The LED Test Switch indicator provides a multifunction indication of the status of the fitting during testing and normal operation:

Option	State	LED Operation
ZW, HVG, DATA	Commissioned	LED on Solid (Green)
ZW, DATA	Un-commissioned	Batt plugged-in: yellow 1s, green 1s
		Batt unplugged: red 1s, off 1s
HVG	Un-commissioned With network connectivity	Batt plugged-in: yellow 1s, green 1s
		Batt unplugged: red 1s, off 1s
HVG	Un-commissioned Without network connectivity	Batt plugged-in: yellow 250mS, green 250mS, yellow 250mS, green 250mS, green 1s
		Batt unplugged: red 250mS, off 250mS, red 250mS, off 250mS, off 1s
ZW, DATA	Emergency Light Test In Progress	LED flashes at yellow 5s, Off 1s
HVG	Emergency Light Test In Progress	LED flashes at yellow 1s, Off 1s

In the case of the DATA version a 2-way “figure 8” cable and terminal block facilitates the connection to the DATA network via a multi-drop bus (daisy chain connection). For further information of installation of a Zoneworks system, please refer to the Zoneworks Users Guide and Commissioning Guide (incl. DATA version)

DALI 2 EM Option

Luminaires with part numbers having -D2 are fitted with DALI 2 certified modules (nodes) that facilitate connection and integration to 3rd Party Lighting Control Systems. Before installing the fitting please confirm that the Lighting Control System has the capability to monitor DALI Emergency Luminaires. The fitting will be addressed and configured into the control system by the Lighting Control System Commissioning Technicians and not Clevertronics.


State	LED Operation
Commissioned/ Un-commissioned	LED on Solid (Green)
Emergency Light Test in progress	LED flashes at 1s On (Yellow) & 1s Off
“IDENTIFY COMMAND”	Lamp and Status LED Flash for 30 seconds

A 2-way “figure 8” cable and terminal block facilitates the connection to the DALI network OR a 5/6way “structured wiring system” lead and plug facilitating the power and DALI connection. DALI connections are marked as Da Da.



CLP™ Bunkalite
Installation & Maintenance Instruction Leaflet



NOTE: Standard product codes with this symbol  are enabled with Clevertest Plus capability. Please refer to the operation guide supplied with the product for details.

Australia (Head Office)
Website: www.clevertronics.com.au
Email: info@clevertronics.com.au
Phone: +61 3 9559 2700

UK OFFICE
Website: www.clevertronics.co.uk
Email: sales@clevertronics.co.uk
Phone: 01895 430 255



Models:

CBKLEDx-vv-yy-ss-zz-uu-xx

Testing:

Manual Test zz = Blank
Zoneworks zz = ZW
Z/W DATA zz = DATA
Zoneworks zz = HVG
DALI-2 zz = D2

Options:

Sustained x = S
Non-Maintained x = N
DALI Driver vv = DD
Warm White yy = WW
Microwave Sensor ss = MS
Hi/Lo Motion Sensor ss = MS-HL
Custom Colour xx
Tamperproof uu = TP

Spare Parts:

1553230 Replacement Battery
8011801 Replacement Emergency LED Board
8002802 Replacement Emergency LED Board (-WW)
UKS02320010002 Replacement Emergency Driver
UKM02870060002 Replacement Emergency Driver (-HVG)
1330096-B Replacement 240V Driver

Important:

It is illegal for anyone, except for a licensed electrician to install or maintain this product. Before installation, ensure that the electricity supply has been switched off and isolated. Installation must be carried out in accordance with the relevant British Standards.

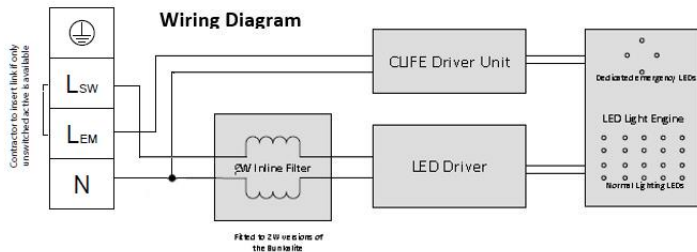
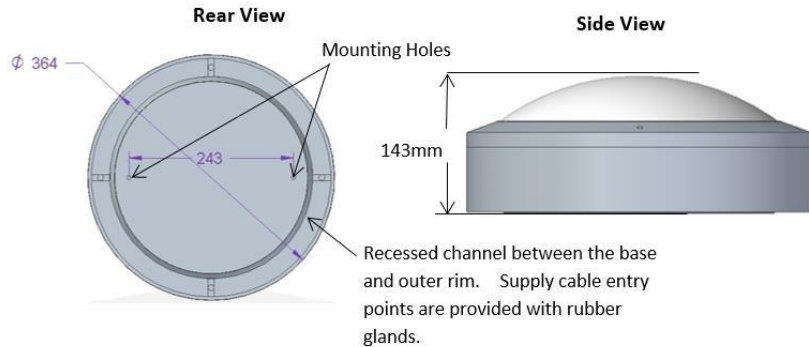
Installation:

The CLP LED Bunkalite (CBKLEDx) can be installed either Ceiling or Wall Mounted.

- When using Eyelid accessories, mounting orientation of the Bunkalite needs to be considered to maintain visibility of the Emergency Status LED.
- Remove the four (4) screws holding the ring to the fitting.
- Remove the four (4) screws holding the gear tray to the base.
- At this point you must decide if the supply cable entry will be via the entry point provided, in the channel recess between the outer-rim and the base, or if a new cable entry is to be drilled into the rear of the base. NOTE: if you choose to use the cable entry point provided the luminaire cannot be positioned/centred over the supply cable point on the wall or ceiling. The supply cable must line up with the recessed channel as shown below.
- Using the base as a guide, mark 2 holes for mounting and one for mains access.
- Mount the base using appropriate fixings and seal these fixings with silicone (fill any additional entry points with silicone also)
- Route the power inside the base.
- Connect the 240VAC (⊕, L_{SW}, L_{EM}, N) supply to the terminal block of the gear tray.
- Install the gear tray to the base.
- Where QR/Barcode labels have been supplied with the product, ensure one of the QR/Barcode labels is adhered to a visible surface on the base of the product.

If the CTP capabilities are activated, please affix the CTP status label to a visible surface and Four Segment Marking on the product will include an "F" in third segment block.

Dimensions:



Note:

This luminaire (with reinforced insulation between control/LED terminal and AC supply) contains non-user replaceable light source and battery - to be replaced (if required, refer installation instructions for battery replacement) by Clevertronics service personnel/agents or a registered electrician.

If flexible wiring is connected to this luminaire and is within arms reach, the wiring shall be effectively fixed to the wall to reduce the risk of strangulation.

Battery Replacement:

1. Prior to any work, isolate the power to the luminaire that requires battery replacement
2. Open the fitting by removing the securing screws holding diffuser retainer, support diffuser retainer and diffuser during this process.
3. Remove gear tray by removing screws, support gear tray during this process.
4. Remove the Battery Connector from the Emergency Driver.
5. Remove the battery from the gear tray by removing mounting screws.
6. Replace battery, re-install screws and connect to Emergency Driver.
7. Reinstall the Gear Tray, ensure star washers are used.
8. Refit the diffuser retainer and diffuser, ensure diffuser is aligned to maintain the weatherproof seal.

Testing Procedure:

When the unit is connected to the un-switched active, it must be allowed to charge the battery for at least 24 hours. The emergency lamp only illuminates during a power fail. Conduct the following tests:

- The emergency lamp must illuminate for at least 180 min after disconnection from the mains. If the unit fails to illuminate for the requisite time, remedial action must be taken to repair the situation and once completed, the unit must pass a subsequent test.
- Press and hold Test Button or switch Off Mains Supply, check that the emergency lamp is On.
- Release the Test Button or Switch On Mains Supply, check that the emergency lamp is Off (Non-maintained operation).

Trouble Shooting:

Below are a list of common problems and their possible causes.

Fault: The Green LED Test Switch indicator is not illuminated.

Check: A.C. is connected and is turned on.
Battery is connected.
Test Switch for damage.

Fault: Lamp does not illuminate in emergency mode.

Check: A.C. is connected.
Lamp is correctly inserted.
Battery is connected.

Fault: Lamp illuminates in emergency mode, but only stays on for a short period.

Check: Battery has been allowed to charge for at least 24 hours.
Battery for damage.

Caution:

On many building sites, power circuits may be cut off in an uncontrolled and repetitive basis during construction. As a result, any Exit & Emergency Units, on these circuits, will have their batteries discharged or "cycled". The Li-ion battery in the Exit & Emergency Unit has been selected to give excellent long life performance in a controlled IEC 60598-2-22 testing environment. Excessive battery cycling will reduce through-life performance and may lead to premature battery failure. Battery warranty claims, as a result of such abuse, are specifically EXCLUDED from Clevertronics warranty terms.

Warranty:

For Product Warranty information and Terms and Conditions of Sales please refer to our website <https://clevertronics.co.uk/product-warranty-statement/>