

Refer to the supplementary operation guide supplied with the product.
After Power ON, the Status LED on a Clevertest Plus enabled fitting will display a rapid Green or Red flashing for a period up to 2 minutes.

Zoneworks, HIVE Monitored Options

Fittings with part numbers -HV/-HVG, are fitted with Zoneworks communications modules (nodes). These fittings are monitored using RF transceiver modules operating in the ISM band. Zoneworks software on the server is used to monitor, coordinate testing and collate test data from each fitting. Zoneworks Fittings can be commissioned by a single push of the test switch or by scanning the supplied barcode. The LED Test Switch indicator provides a multifunction indication of the status of the fitting during testing and normal operation:

Option	State	LED Operation
HV, HVG	Commissioned	LED on Solid (Green)
HV, HVG	Un-commissioned With network connectivity	Batt plugged-in: yellow 1s, green 1s
		Batt unplugged: red 1s, off 1s
HV, HVG	Un-commissioned Without network connectivity	Batt plugged-in: yellow 250mS, green 250mS, yellow 250mS, green 250mS, green 1s
		Batt unplugged: red 250mS, off 250mS, red 250mS, off 250mS, off 1s
HV, HVG	Emergency Light Test In Progress	LED flashes at yellow 1s , Off 1s

DALI EM Option

Luminaires with part numbers having -DALI are fitted with DALI modules (nodes) that facilitate connection and integration to 3rd Party Lighting Control Systems. Before installing the -DALI luminaire, please confirm that the Lighting Control System has the capability to monitor DALI Emergency Luminaires. The -DALI fitting will be addressed and configured into the control system by the Lighting Control System Commissioning Technicians and not Clevertronics.

State	LED Operation
Commissioned/ Un-commissioned	LED on Solid (Green)
Emergency Light Test in progress	LED flashes at 1s On (Yellow) & 1s Off
“IDENTIFY COMMAND”	Lamp and Status LED Flash for 30 seconds

A 2-way “figure 8” cable and terminal block facilitates the connection to the DALI network. DALI connections are marked as Da Da.

Battery Replacement:

- Use only the battery recommended on the label inside the Exit and on this instruction.
- Remove the exit of the bracket by disengaging the Locking clip
- The battery is located in the top of the fitting.
- Unplug the battery from the PCA and remove it.
- Insert the new battery into the holder, route the DC cable to the PCA and plug the new battery into the connector.
- Reinstall the Exit back to the bracket making sure that both Clips are completely engaged.

Warranty:

For Product Warranty information and Terms and Conditions of Sales please refer to our website <http://clevertronics.com.au/terms-conditions-sale-australia-nz/>

This luminaire (with reinforced insulation between control/LED terminal and AC Supply) contains non-user replaceable light source – The light source contained in this luminaire shall only be replaced by the manufacturer or his service agent or a similar qualified person.



**Glider Surface Mount Exit
Installation & Maintenance Instruction Leaflet**



Victoria (Head Office & Manufacturing)

Website: www.clevertronics.com.au
Email: info@clevertronics.com.au
Phone: +61 3 9559 2700
Fax: +61 3 9559 2799

New South Wales

Phone: +61 2 8805 6400
Fax: +61 2 8805 6444

Queensland

Phone: +61 7 3442 9700
Fax: +61 7 3442 9777

South Australia/Northern Territory

Phone: +61 8 8301 8800
Fax: +61 8 8351 8286


Western Australia

Phone: +61 8 9207 0000
Fax: +61 8 9207 0088

New Zealand

Phone: +64 800 548 448

Designed in Australia to comply with the requirements of AS2293.3: 2018, AS CISPR15: 2017

NOTE: Standard product codes with this symbol  are enabled with Clevertest Plus capability. Please refer to the operation guide supplied with the product for details.

Models: GLIDER-SM-LP-xx-uu

Testing:

- Clevertest Plus xx = Blank
- Zoneworks HIVE xx = HV/HVG
- DALI-2 xx = D2

Options:

- Black Colour
- uu = BLK

Spare Parts:

- 1550150 Replacement Battery
- 805-00041 Replacement LED Board
- 800-00014 Replacement Emergency Driver

Important:

It is illegal for anyone, except for a licensed electrician to install or maintain this product. Before installation, ensure that the electricity supply has been switched off and isolated. Installation must be carried out in accordance with the relevant Australian and International Standards.

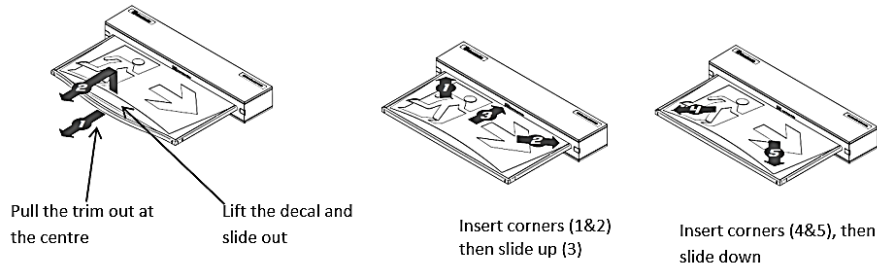
Caution:

On many building sites, power circuits may be cut off in an uncontrolled and repetitive basis during construction. As a result, any Exit & Emergency Units, on these circuits, will have their batteries discharged or “cycled”. The battery in this fitting has been selected to give excellent long-life performance in a controlled AS2293 testing environment. Excessive battery cycling will reduce through-life performance and may lead to premature battery failure. Battery warranty claims, as a result of such abuse, are specifically EXCLUDED from Clevertronics warranty terms.

Changing Exit Legend Inserts:

The Exit comes with an assortment of standard legends.

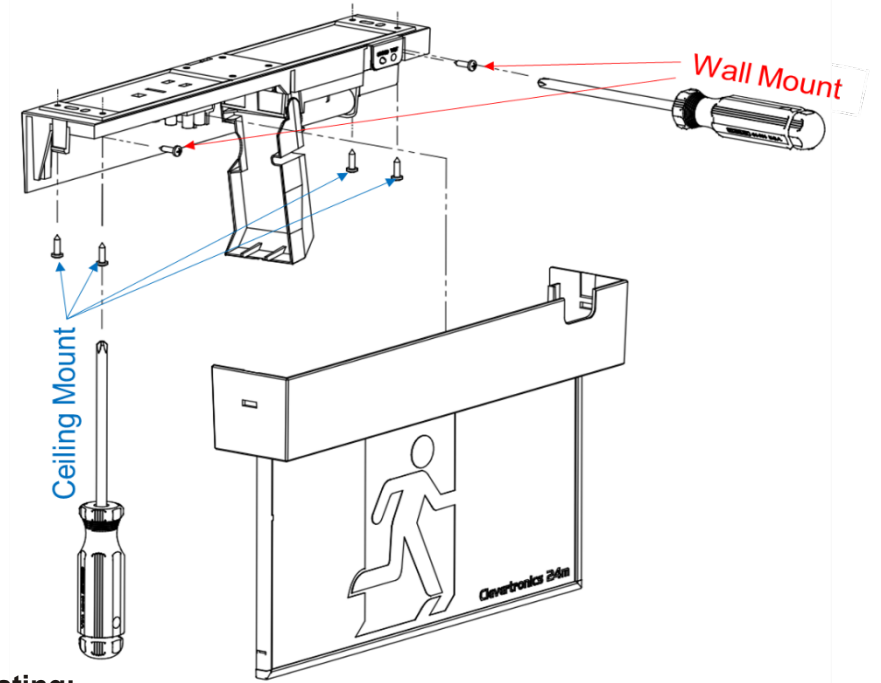
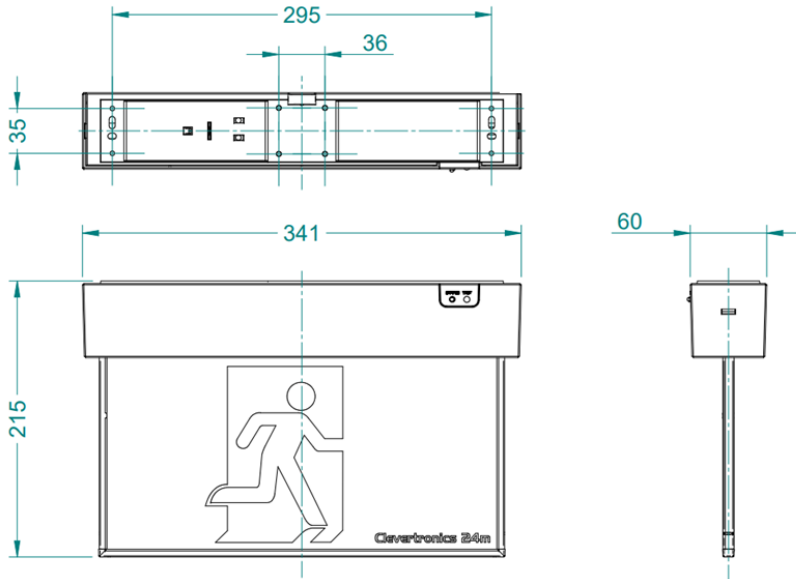
1. To remove the legend, grasp the centre of the bottom trim piece and pull down slightly to expose the legend edge. See photo.
2. Grasp the bottom edge of the legend and slide the existing legend out of the blade, while working the edges out along the sides.
3. Slide the new legend into the blade, ensuring to fit the edges into the sides then slide the legend to the top of the blade. Insert one bottom corner then the other. Slide the legend down into the bottom trim.



Installation:

The GLIDER-SM LED Exit is a surface mount fitting. It can be attached directly to any solid surface. Please follow the steps below to install the GLIDER-SM Exit:

- Open the fitting by disengaging the 2 clips on either side of the blade.
- Locate the mounting surface.
- Drill holes in the mounting base to suit the mounting method, Ceiling or Wall (see images).
- Use the mounting bracket to mark-out the mounting holes for Ceiling or Wall Mount.
- Drill power access hole as required.
- Mount the fitting using appropriate fixings.
- Route the power to the mains connection and connect the 240VAC supply.
- Attach the blade assembly to the bracket make sure that both Clips are completely engaged.
- Apply power to the fitting and test.
- This luminaire contains non-user replaceable light source and battery.



Testing:

Once connected to the 240V mains supply, the unit must be allowed to charge the battery for at least 24 hours. Conduct the following tests:

- For the first test, the emergency lamp must remain illuminated for at least 2 hours after disconnection from the mains supply.
- Subsequent tests require the unit to illuminate for at least 90 minutes. The results of all tests are required to be recorded in a service logbook, which is to be kept on-site at all times. If the unit fails to remain illuminated for the requisite time, remedial action must be taken to repair the situation and once completed, the unit must pass a subsequent test. For more specific information, please refer to the current edition of the AS 2293.3 Standard.

Trouble Shooting:

Below are a list of common problems and their possible causes.

Fault: The Green LED Test Switch indicator is not illuminated.

Check: A.C. is connected and is turned on.
Battery is connected
Test Switch for damage.

Fault: Lamp does not illuminate in emergency mode.

Check: A.C. is connected.
Lamp is correctly inserted.
Battery is connected

Fault: Lamp illuminates in emergency mode, but only stays on for a short period.

Check: Battery has been allowed to charge for at least 24 hours.
Battery for damage.

Rated Emergency Lumen Output in accordance with AS2293.1, not applicable for -TH (theatre) version (refer to spacing tables for installation positions):

Refer to the Technical Label for classification information.